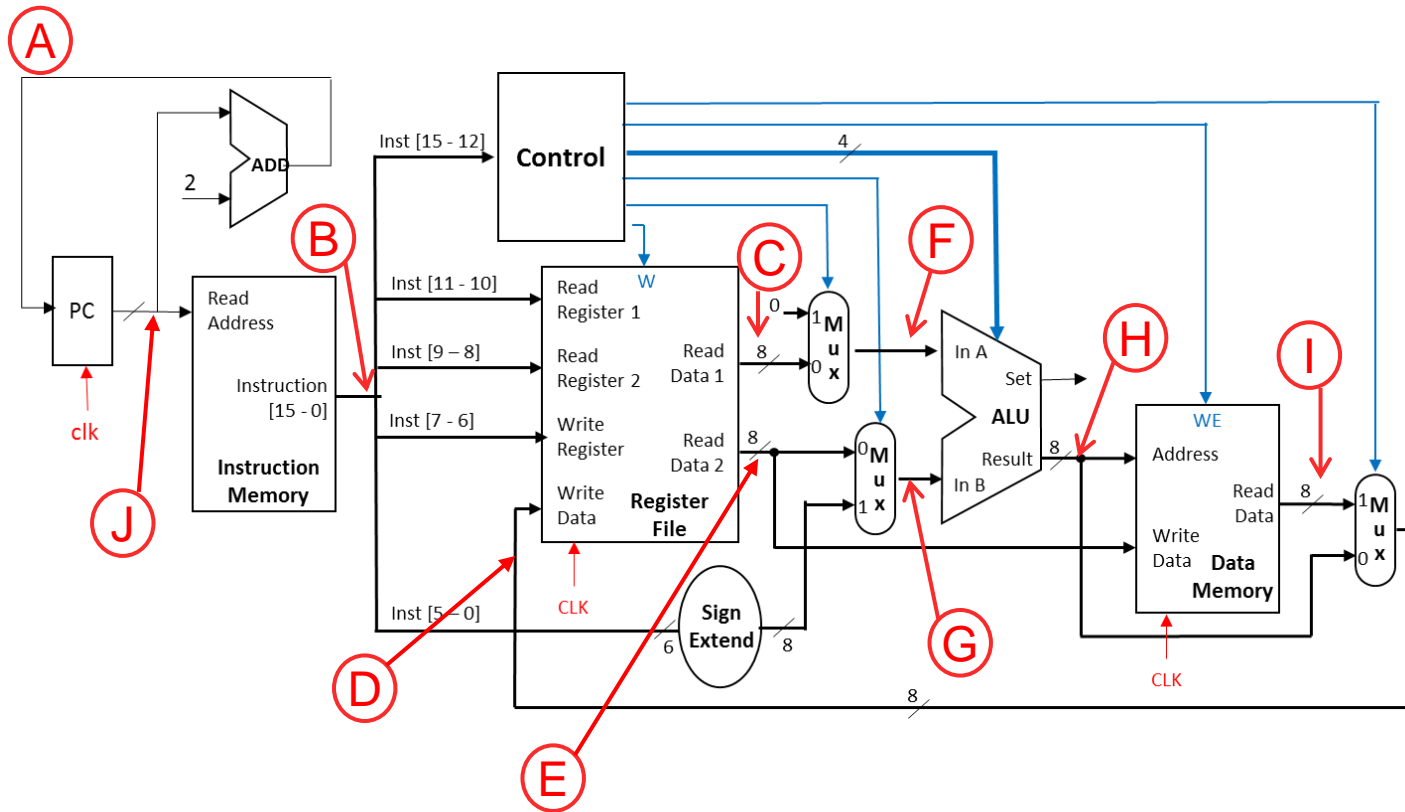


CE 1911

Homework 14

1 - Assume RA, RB, RC, RD contain the values 0x11, 0x22, 0x44, 0x88 respectively. Provide the values for each signal after executing the instruction: `sub RA, RB, RA` located in program memory at 0x24

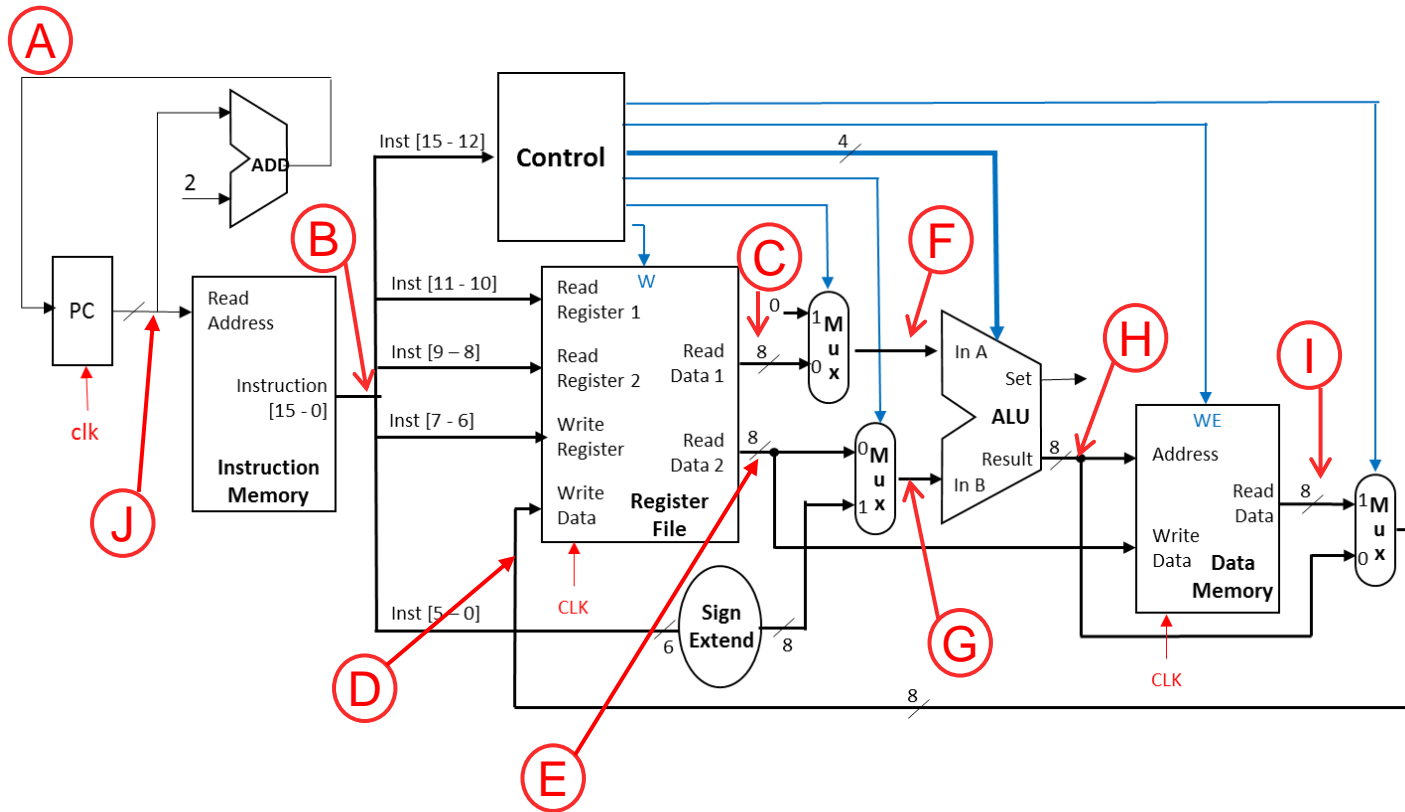
30pts



Node	Value (hex)
A	
B	
C	
D	
E	
F	
G	
H	
I	
J	

2 - Assume RA, RB, RC, RD contain the values 0xAA, 0x35, 0xF2, 0x3D respectively. Provide the values for each signal after executing the instruction: **and RC,RD,RA** located in program memory at 0xAE

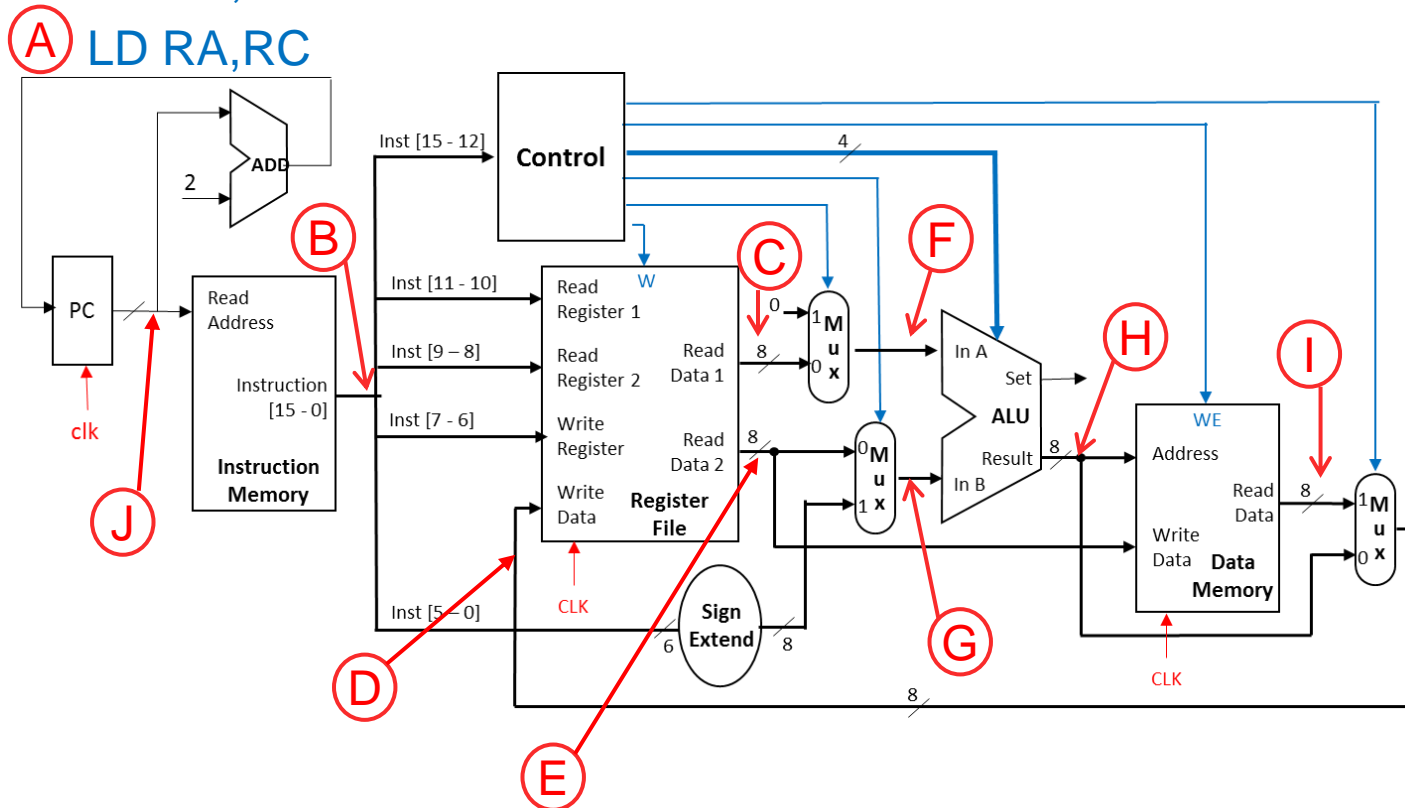
30pts



Node	Value (hex)
A	
B	
C	
D	
E	
F	
G	
H	
I	
J	

3 - Assume RA, RB, RC, RD contain the values 0x54, 0xBA, 0x33, 0x1F respectively. Provide the values for each signal after completing execution of the following 4 instructions, the first of which is located in program memory at 0x04  
40pts

```
LDI RA,0x14
SUB RC,RA,RA
ST RD,RB
LD RA,RC
```



Node	Value (hex)
A	
B	
C	
D	
E	
F	
G	
H	
I	
J	