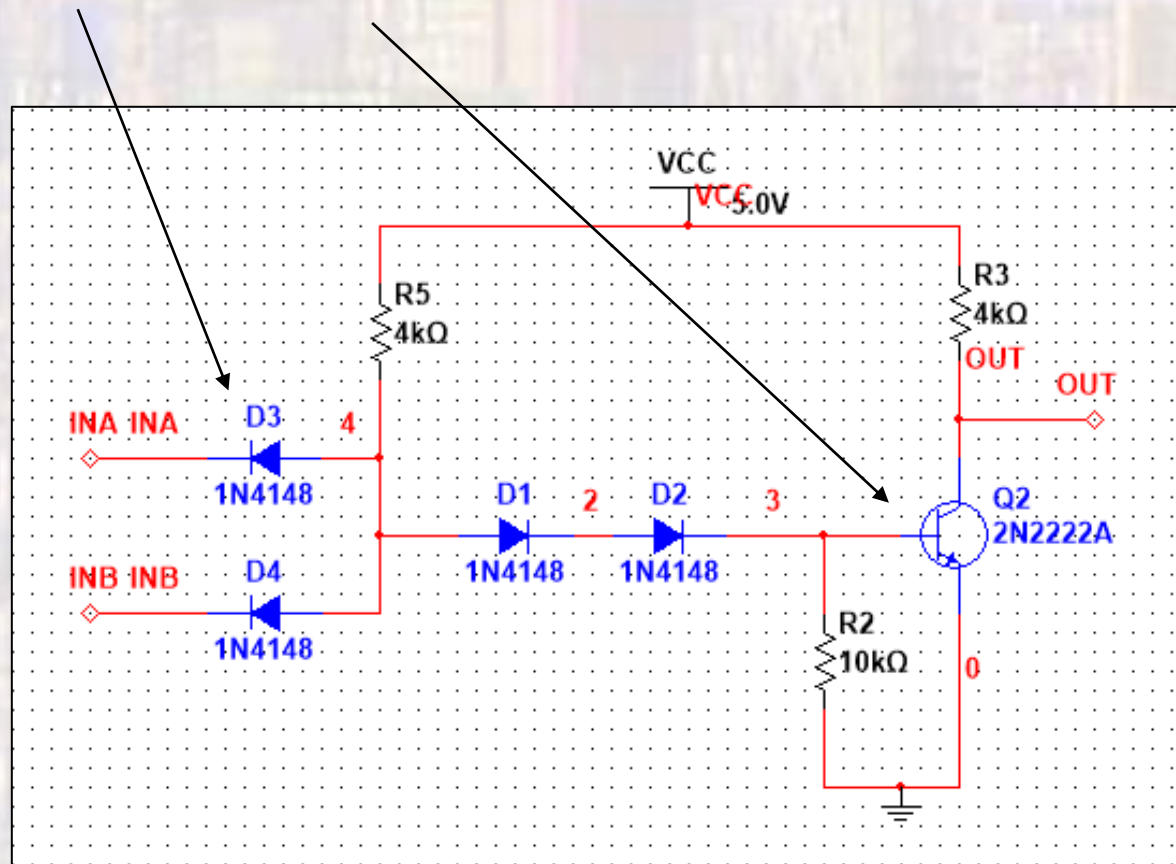


# Diode Transistor Logic Basics

Last updated 3/8/22

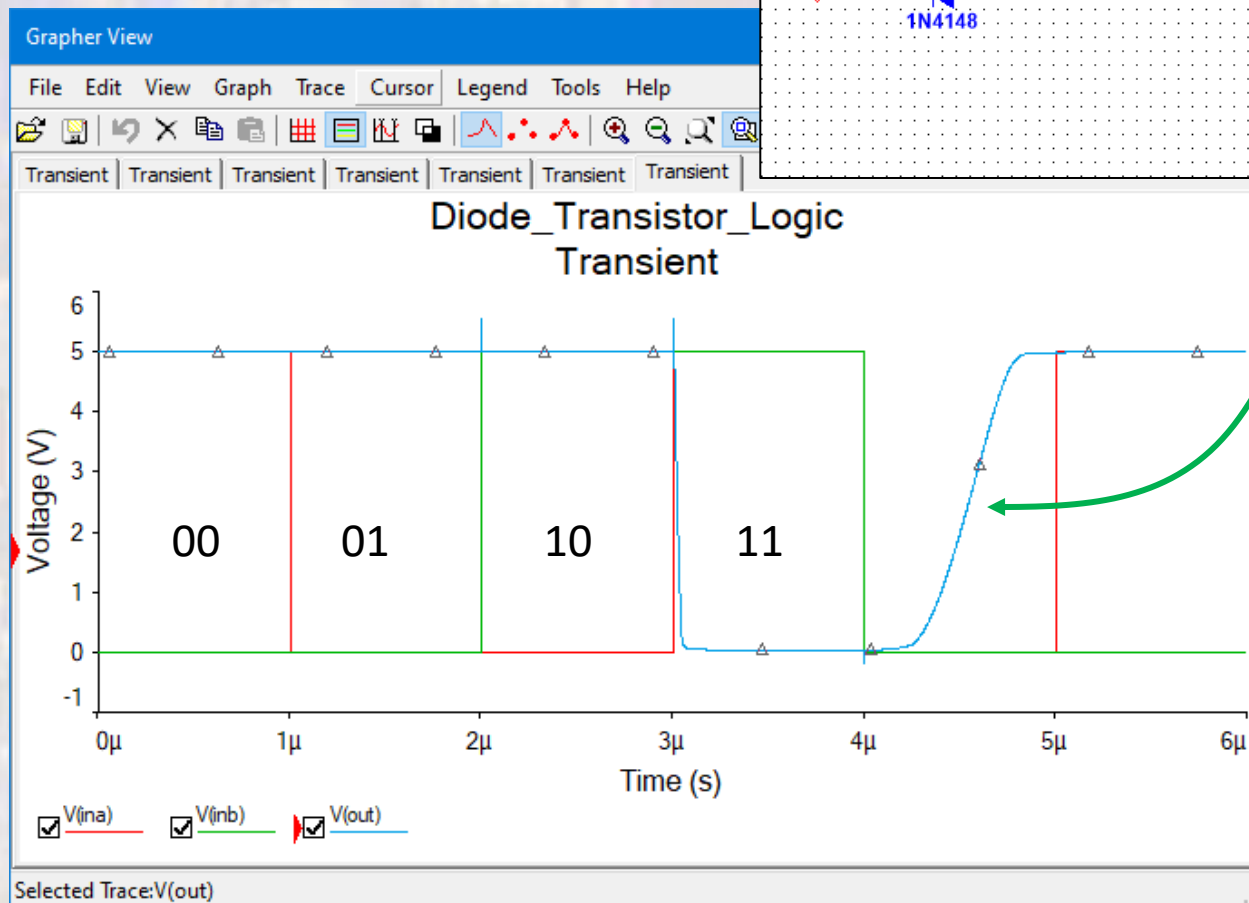
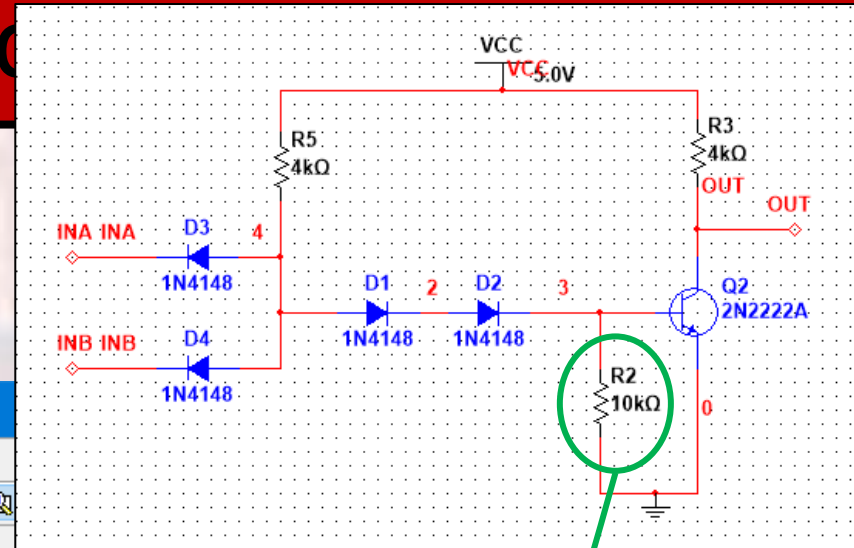
# Diode Transistor Logic - Basics

- Diode Transistor Logic
  - Diode input, Transistor gain section



# Diode Transistor Logic

- Diode Transistor Logic



Power/speed tradeoff due to Q2 reverse recovery time