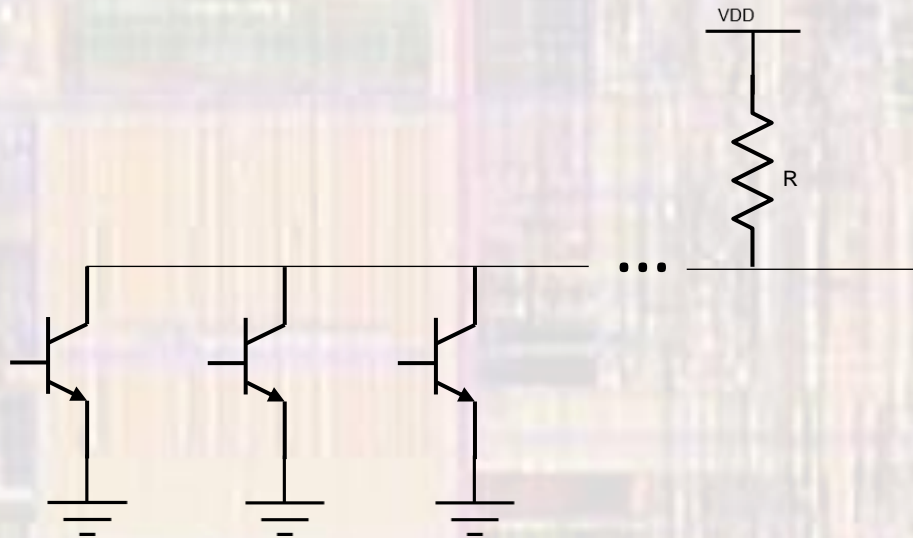


# Interfaces Outputs

Last updated 5/2/22

# Interfaces - Outputs

- Open Collector
  - Wired “nor”



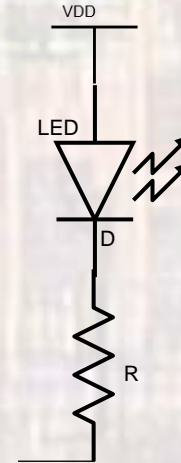
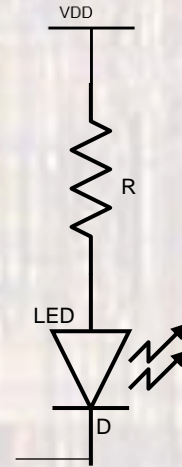
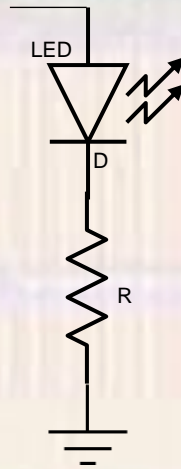
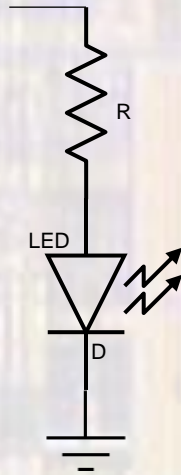
# Interfaces - Outputs

- Open Drain
  - Wired “nor”
  - TWI / I2C



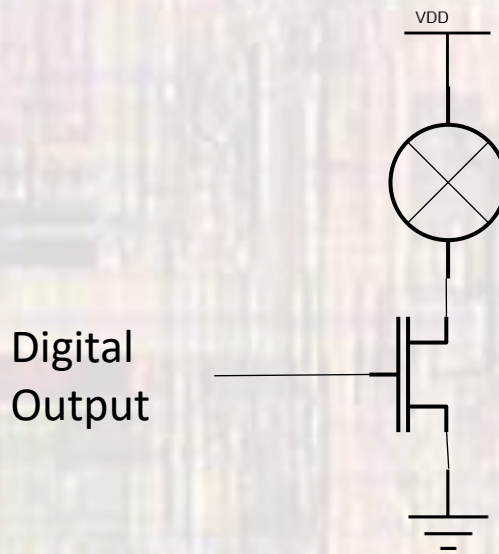
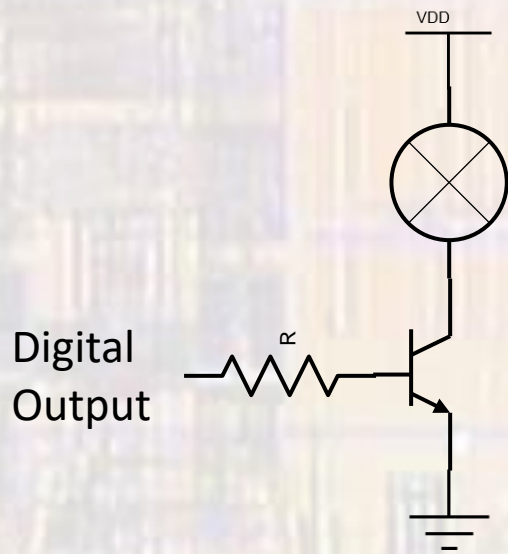
# Interfaces - Outputs

- Basic LED Driver
  - Current limiting resistor



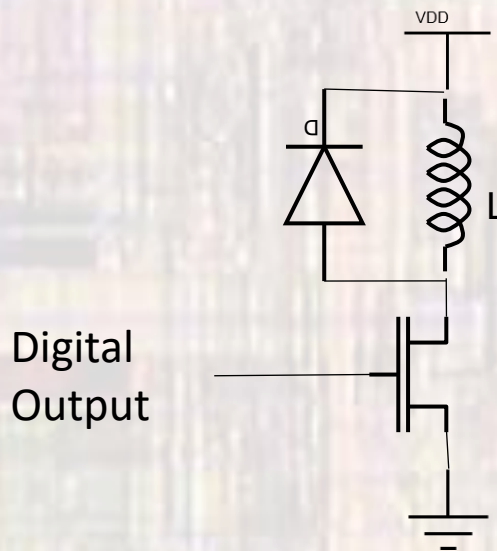
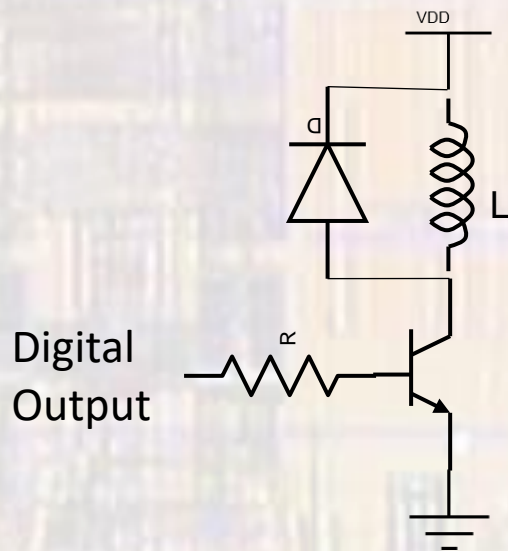
# Interfaces - Outputs

- High Current Loads
  - Lamp
    - Current limiting not required



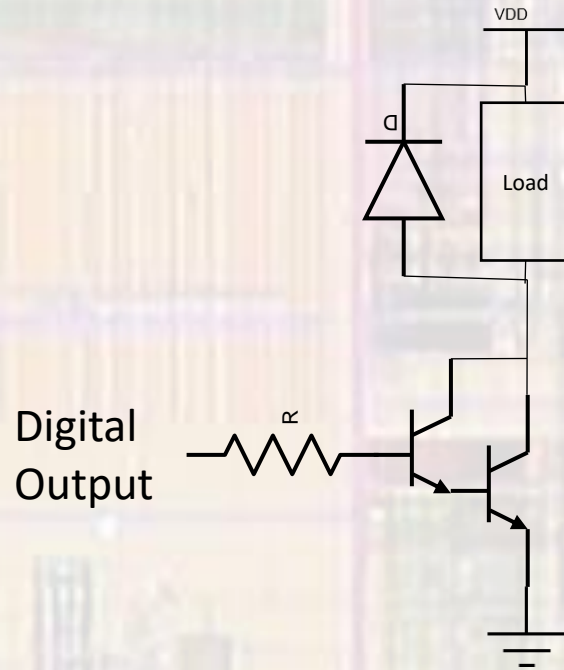
# Interfaces - Outputs

- High Current Loads
  - Inductive Load
    - Motors, Solenoids, Relays
    - Flyback protection required



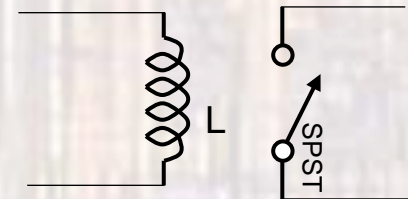
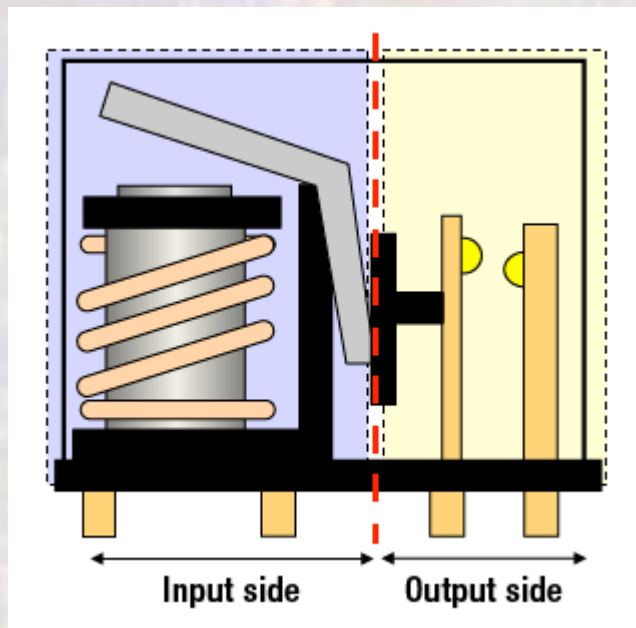
# Interfaces - Outputs

- High Current Loads
  - High Gain



# Interfaces - Outputs

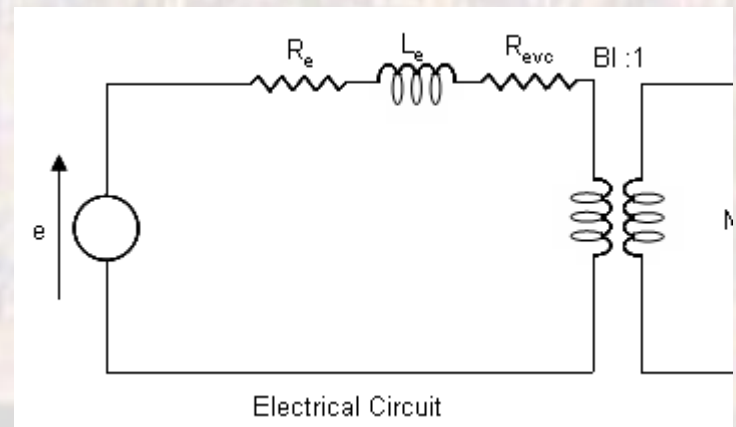
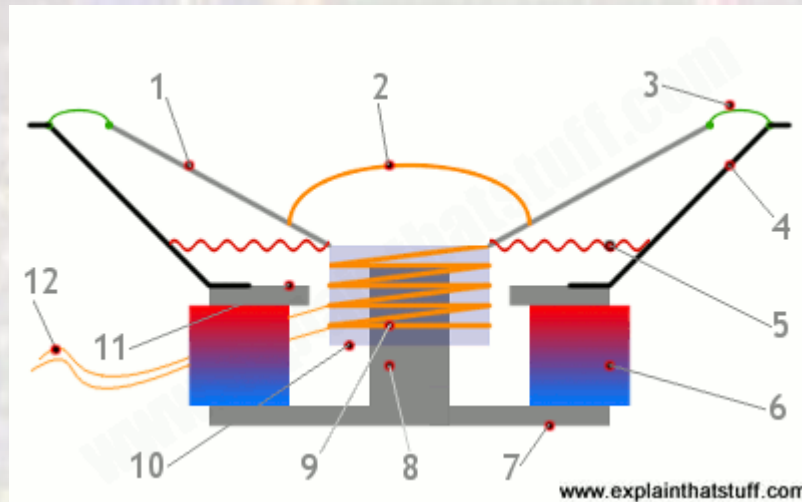
- High Current Loads
  - Relay





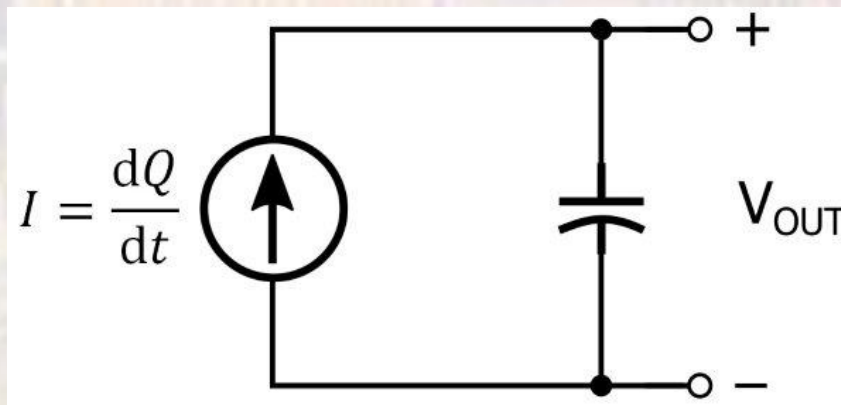
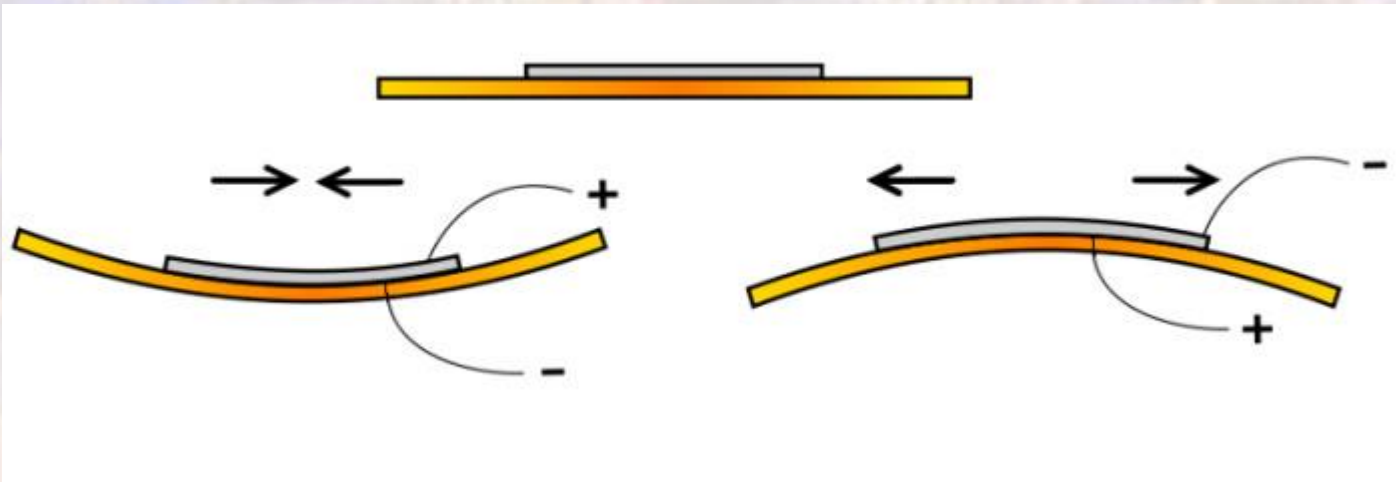
# Interfaces - Outputs

- Speaker



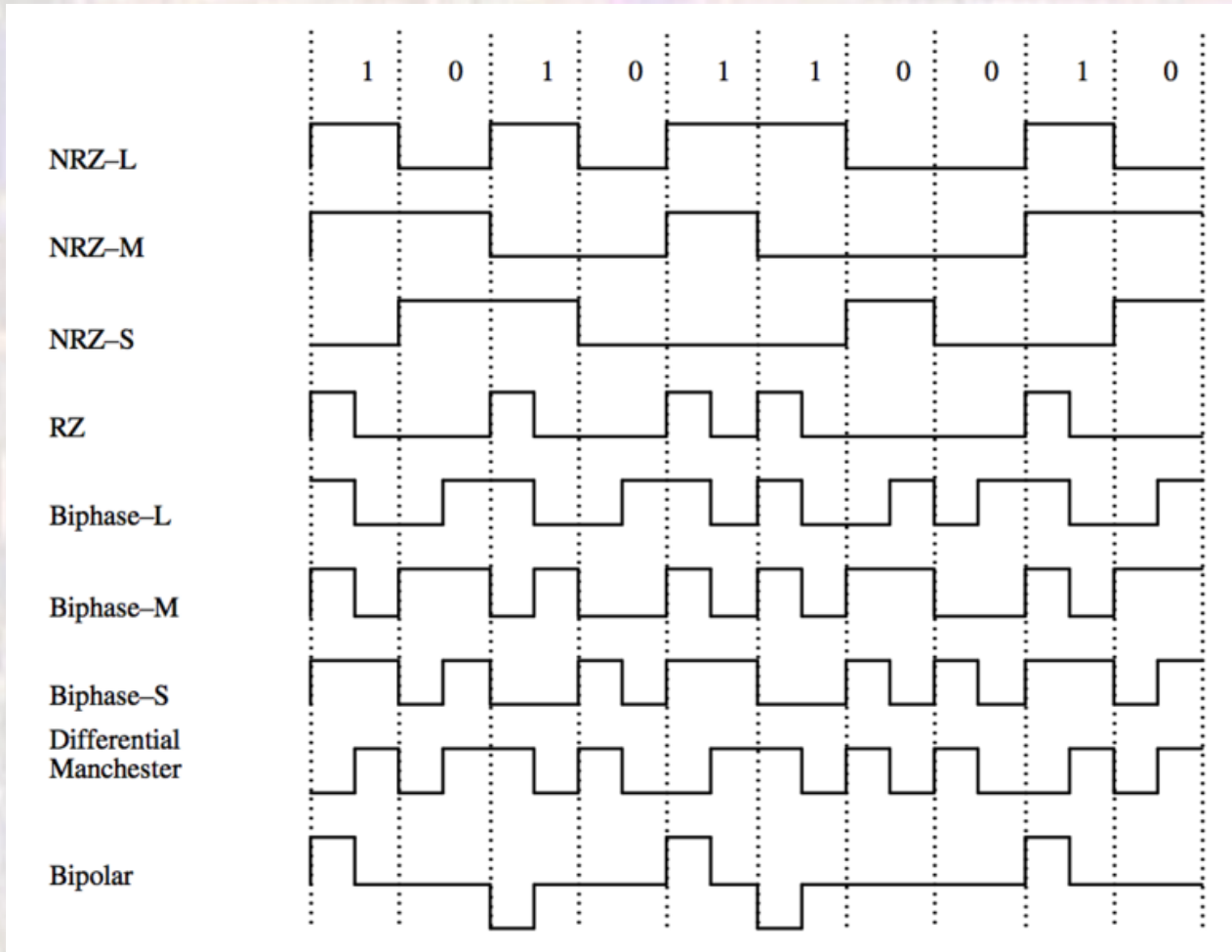
# Interfaces - Outputs

- Speaker
  - Piezo-electric



# Interfaces - Outputs

- Signal Encoding



# Interfaces - Outputs

- Barcode

Example of a Code 39, Mod 10 barcode



3 1234 00045215 4

<b>3</b>	<b>1234</b>	<b>00045215</b>	<b>4</b>
Type Indicator	Location Code	Item or Patron Number	Check Digit

A	B	C	D	E	F	G	H	I	J	K	L
M	N	O	P	Q	R	S	T	U	V	W	X
Y	Z	0	1	2	3	4	5	6	7	8	9
[SPACE]	-	\$	%	.	/	+	*				

# Interfaces - Outputs

- QR Code

