

A

Channel 1 (W1)

Stop Enable Simple

Type: ∇ Triangle

Frequency: 1 kHz

Period: 1 ms

Amplitude: 1.75 V

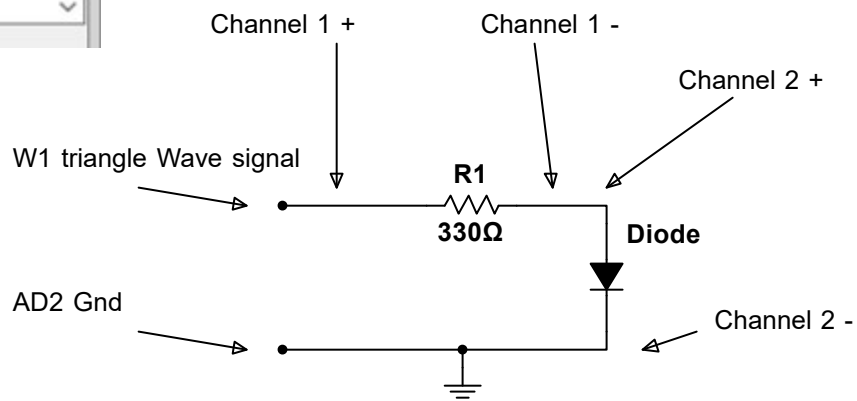
Offset: 1.75 V

Symmetry: 50 %

Phase: 270 °

B

C



V diode

I diode

Time

Position: 200 us

Base: 100 us/div

Options

Add Channel

Channel 1 (1±)

Channel 2 (2±)

Offset: -1.5 V

Range: 500 mV/div

Math 1

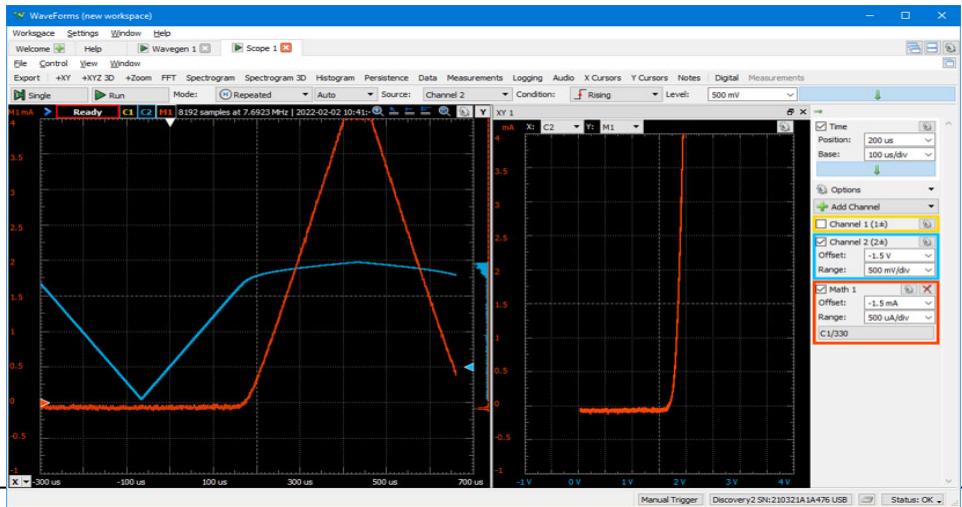
Offset: -1.5 mA

Range: 500 uA/div

C1/330

D

E



F

G



Title: Lab2_Circuit_1	
Desc.: Circuit to use for diode curve tracing on the AD2	
Designed by: tj	Revision:
Date: 2/2/2022	Size: A
Sheet 1 of 1	