

Decoders

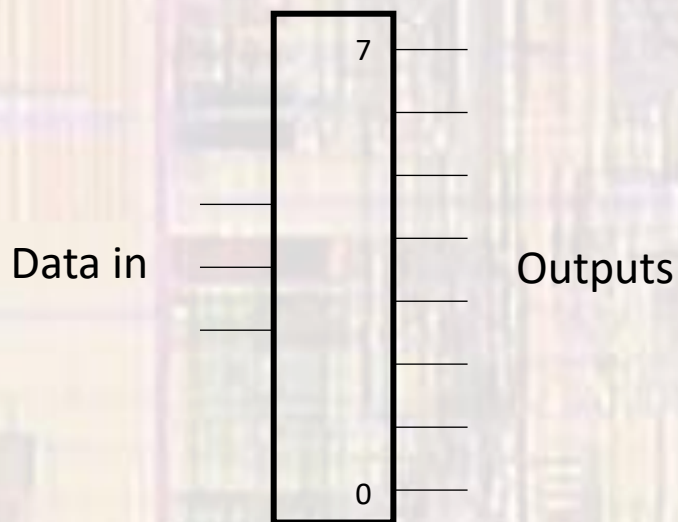
Last updated 10/31/24

Decoders

- A decoder sets one of many outputs to 1 based on the inputs
 - N data outputs – typically a power of 2
 - D data inputs – $\log_2(N)$
 - D:N Decoder

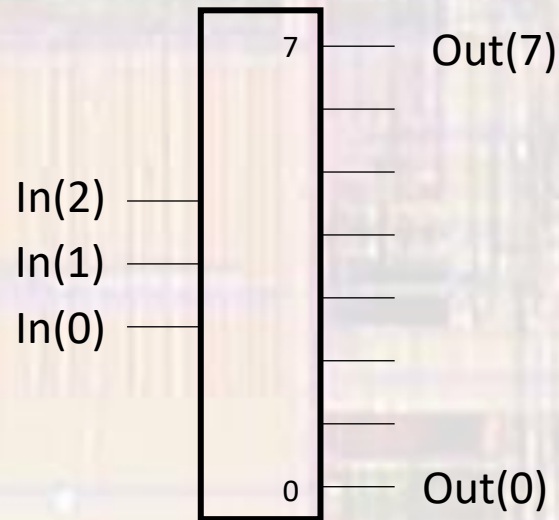
N = 8

D = 3



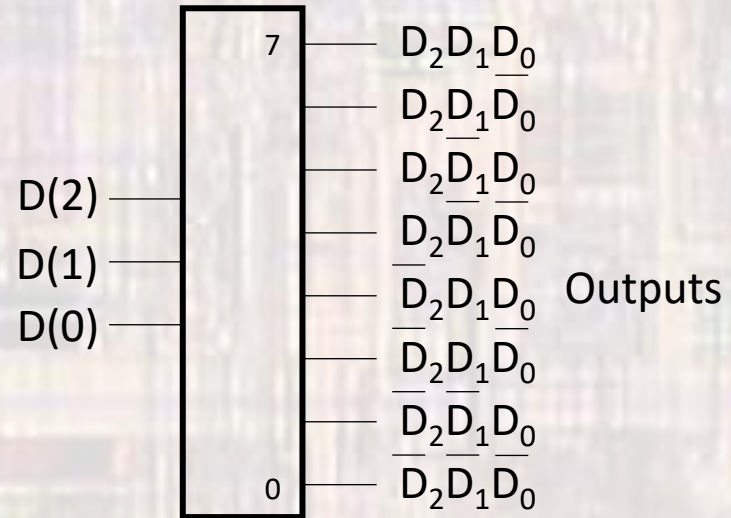
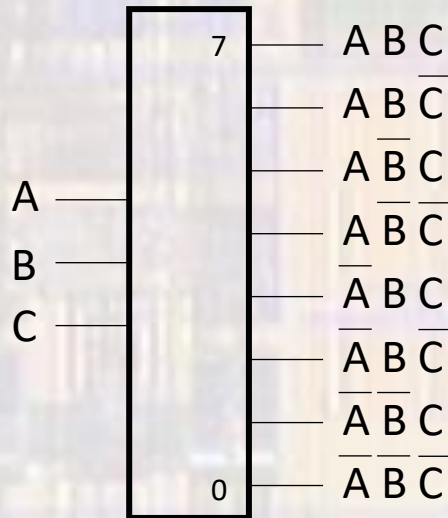
Decoders

- A closer look



Decoders

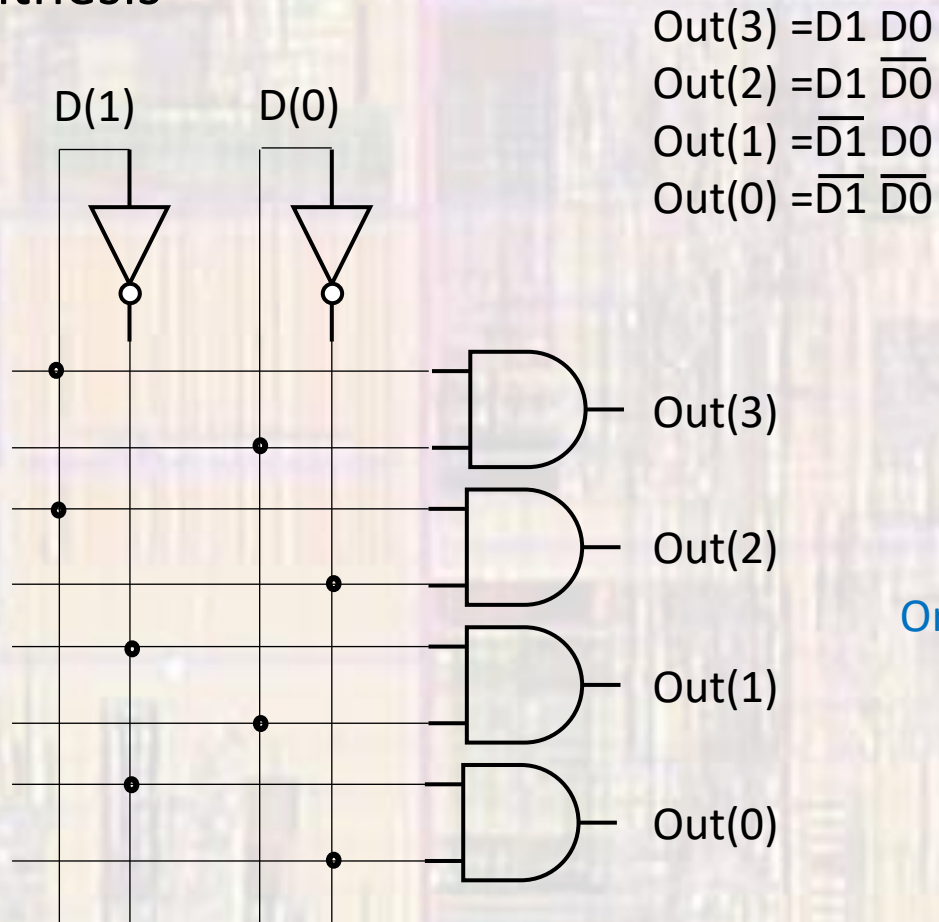
- A closer look



Only one output high

Decoders

- Implementation
 - Direct Synthesis



Only one output high