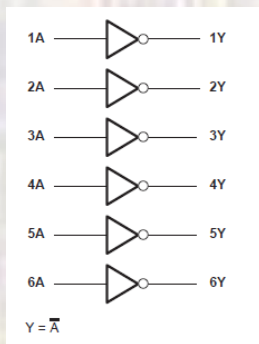
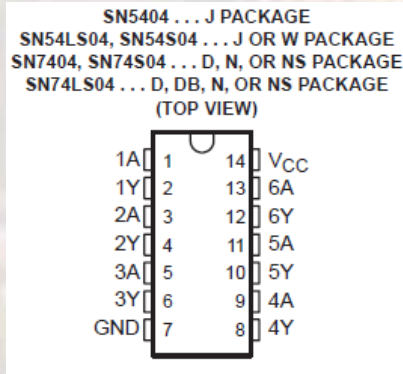
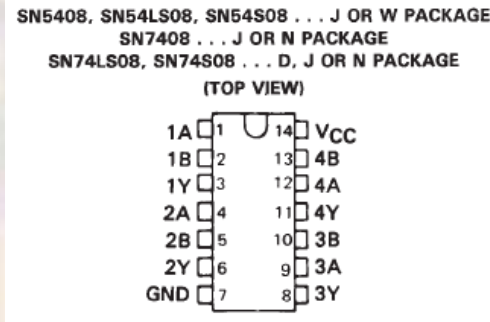


# Lab 3 Component Pinouts

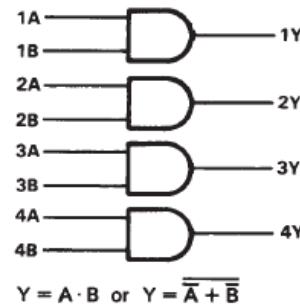
## 7404



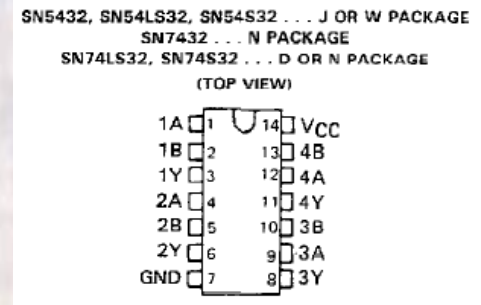
## 7408



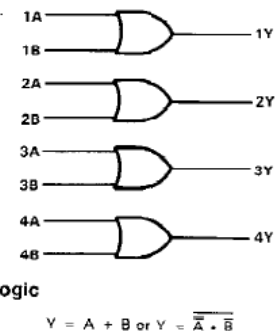
logic diagram (positive logic)



## 7432



logic diagram



Note: The power for these parts is labeled  $V_{CC}$  – these are Bipolar ICs (Not CMOS ICs)