

Proto-Board Setup

Last updated 11/15/24

Proto-Board Setup

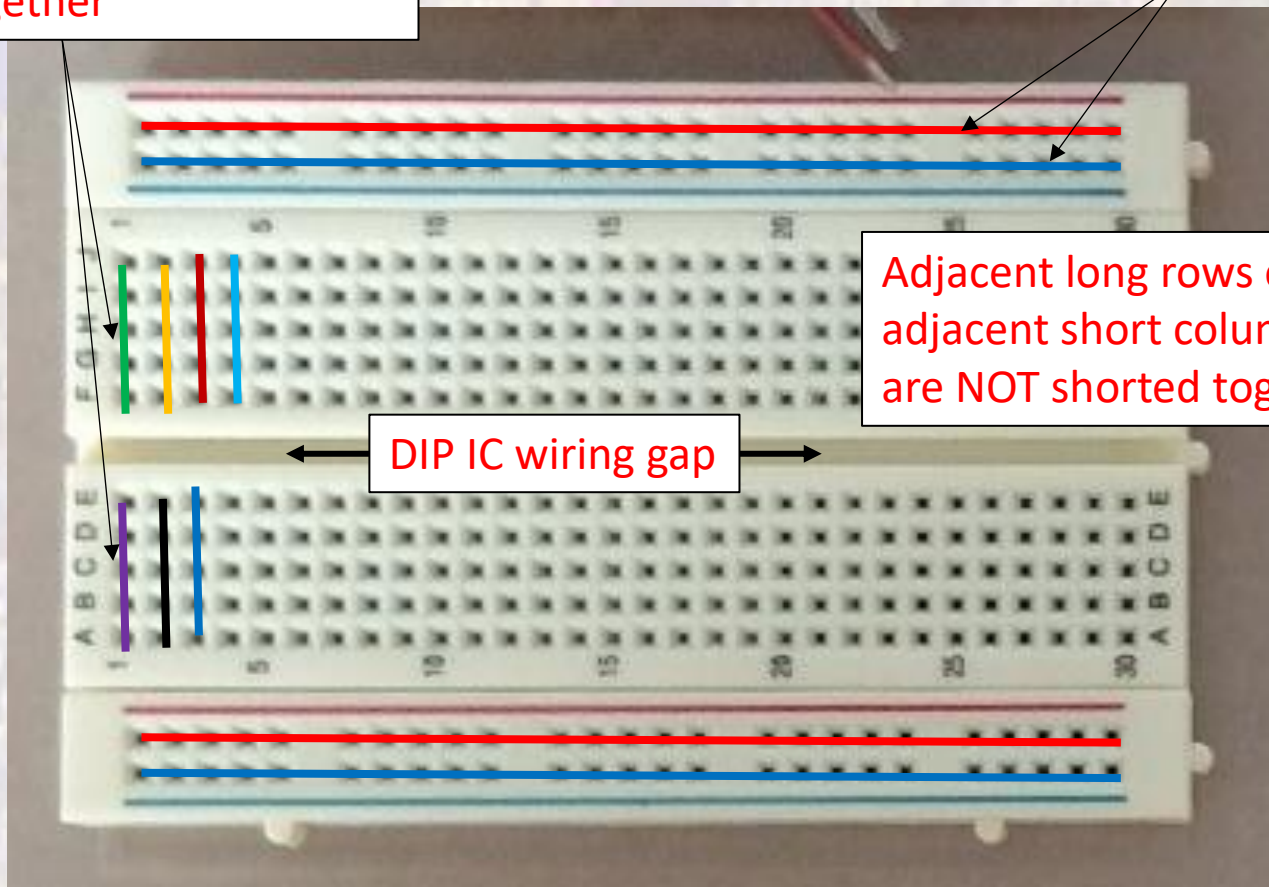
- Proto Board Configuration

Each socket (5) in a short column is shorted together

Each socket (25) in a long row is shorted together

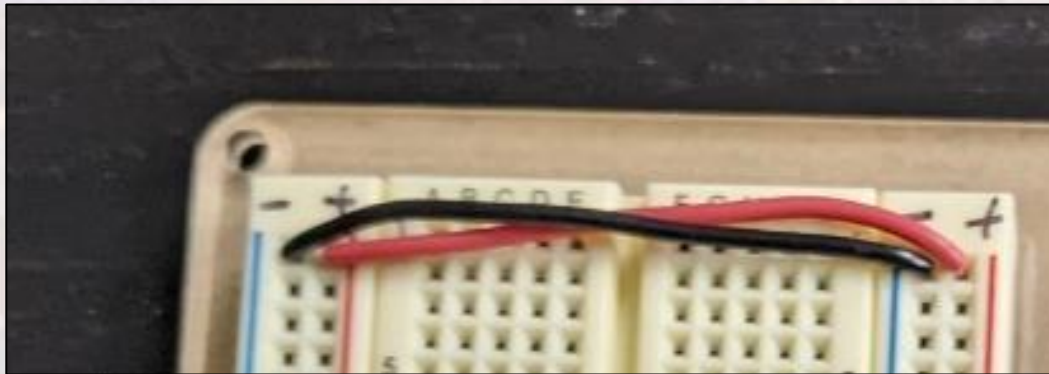
Adjacent long rows or adjacent short columns are NOT shorted together

DIP IC wiring gap



Proto-Board Setup

- Power Crossover
 - Use 2 appropriate length wires from the kit
 - On **one** end of the proto board – connect the 2 red rows together
 - On **one** end of the proto board – connect the 2 blue rows together



- Label the long red rows + using a sharpie – this will be V_{DD}
- Label the long blue rows – using a sharpie – this will be Gnd

Proto-Board Setup

- Example Connection – note IC location

