

Ripple Carry Adder

Last updated 10/31/24

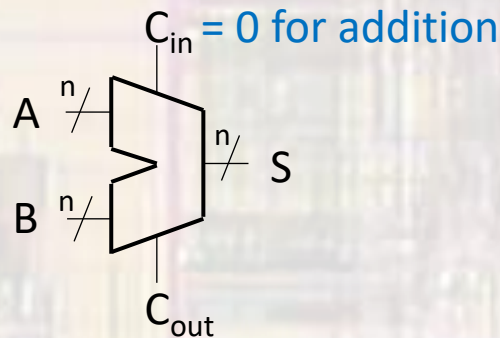
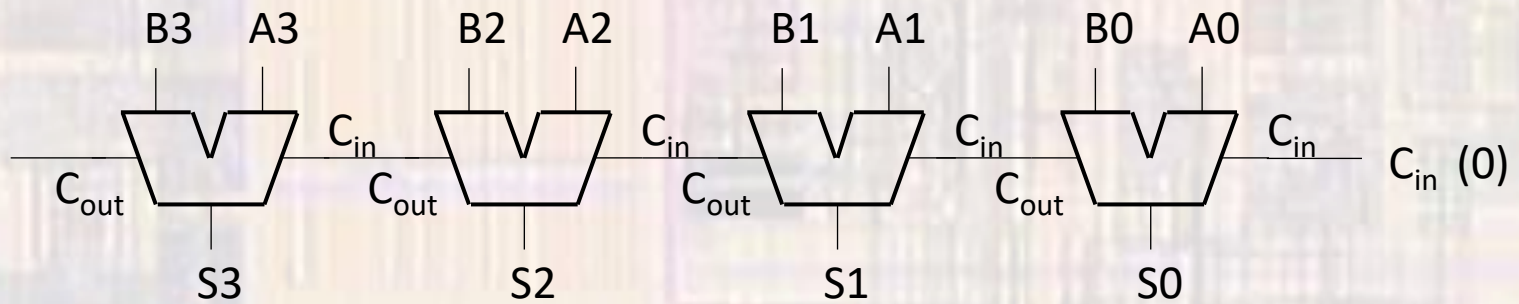
Ripple Carry Adder

- Multi-bit addition requires carry in and carry out values

- Full Adder required

- Carry out of 1 column is the carry in of the next

$$\begin{array}{r}
 1111 \\
 1111 \\
 + 1001 \\
 \hline
 1000
 \end{array}$$



Ripple Carry Adder

- Very slow
 - Requires the carry to ripple from stage to stage
 - Carry out = $AB + AC_{in} + BC_{in} \rightarrow$ And + Or delay

