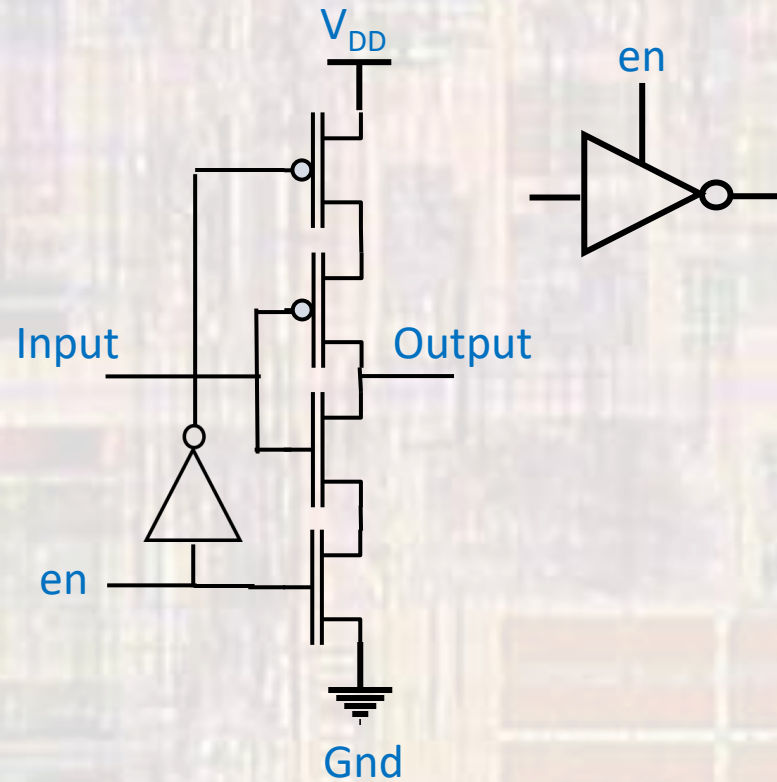
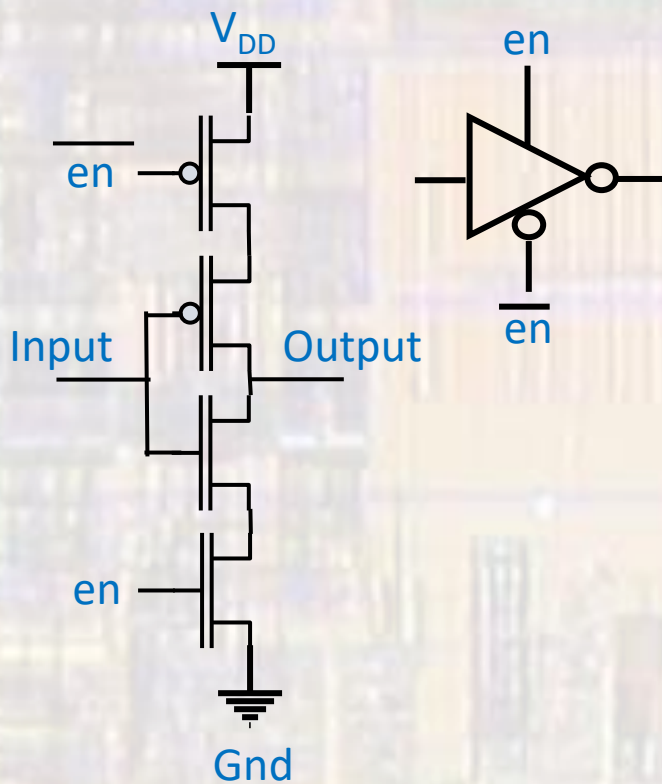


Tri-State Inverter

- Active High

- en – high: normal inverter
- en – low: pull up and pull down off - open circuit to the output



Tri-State Inverter

- Active Low

- tri – low: normal inverter
- tri – high: pull up and pull down off - open circuit to the output

