

# Schematics

Last updated 8/17/22

# Schematics

- Schematics are electrical drawings
  - Not pictures
  - Not actual wiring drawings

Component

Schematic Element

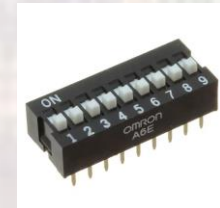
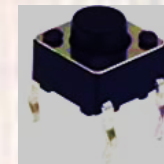
Picture

Resistor

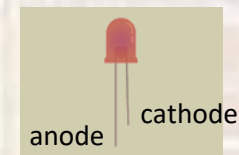
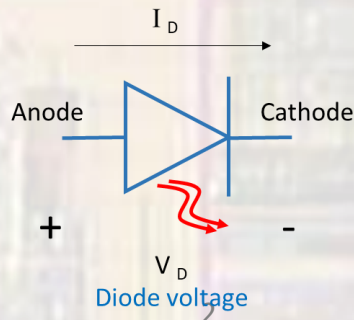


br, bl, rd  
1 0 2  
 $10 \times 10^2 = 1000 \Omega$

Button/  
Switch



LED



# Schematics

Component

Schematic Element

Value

Vcc



3.3V

Gnd

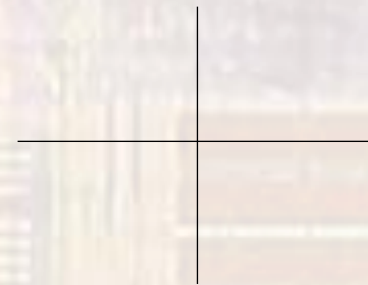


0.0V

Connected



Not Connected



# Schematics

- Example Schematic

