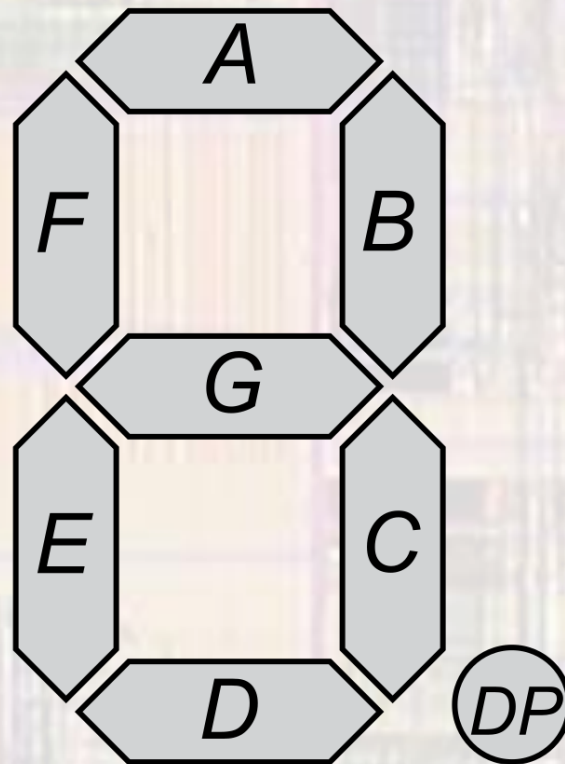


7-Segment Display Basics

Last updated 8/4/21

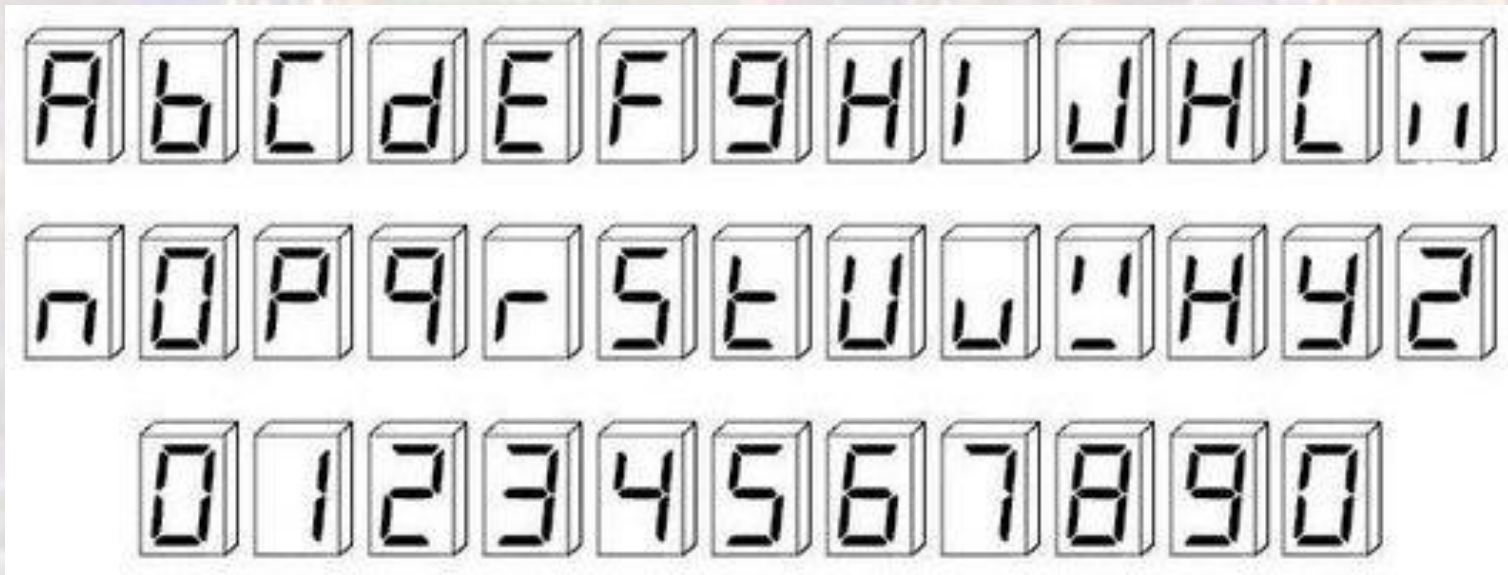
7-Segment Display Basics

- 7, 8, or 9 LEDs configured in a 7-segment pattern + 1 or 2 decimal points



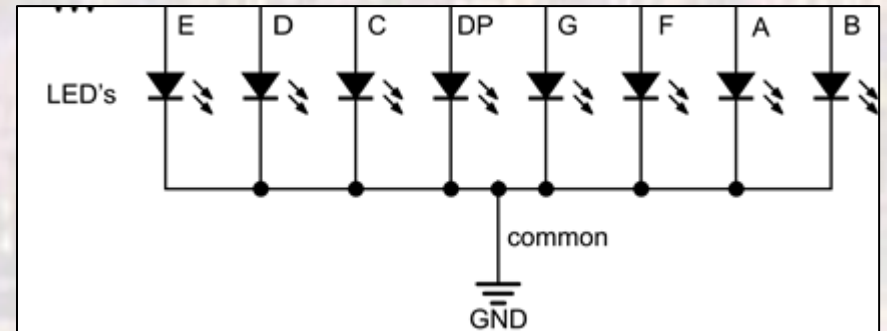
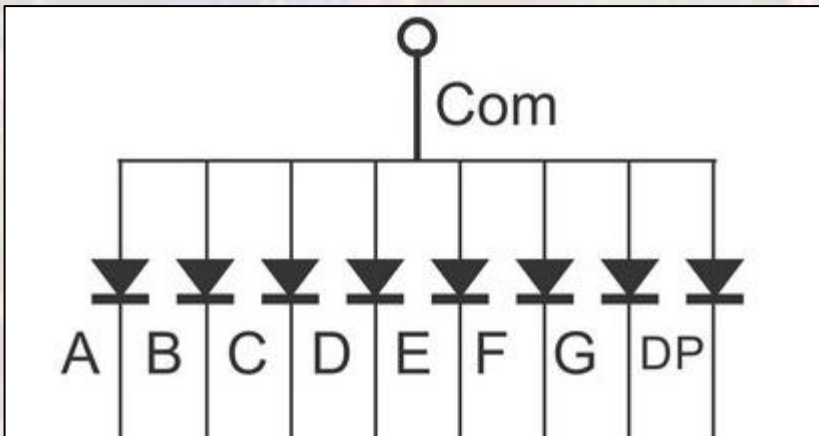
7-Segment Display Basics

- Alphabet
 - Note: there are several variations in use



7-Segment Display Basics

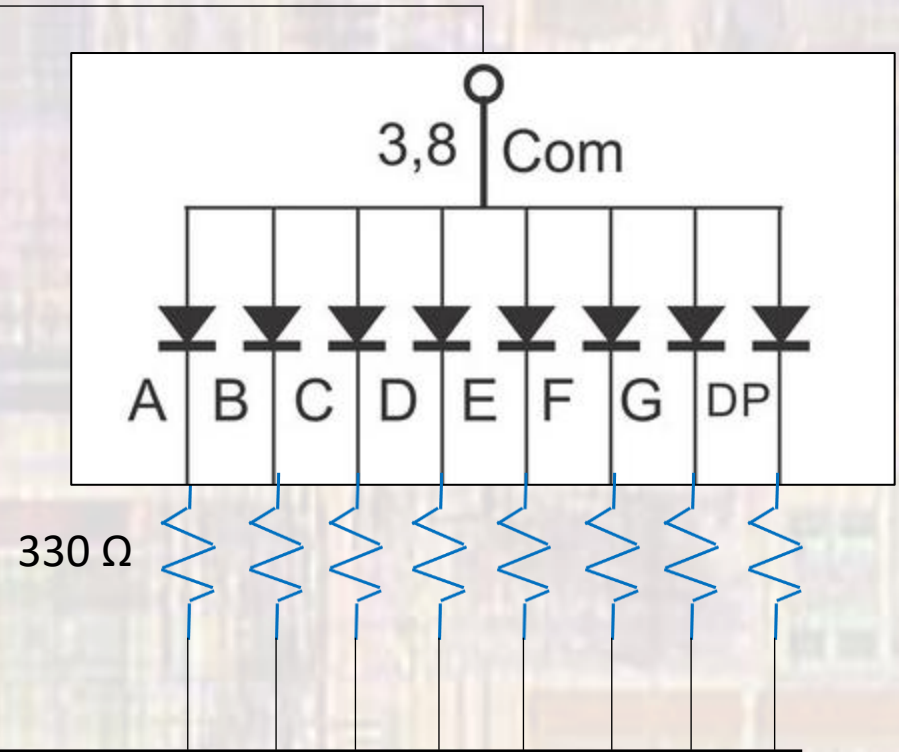
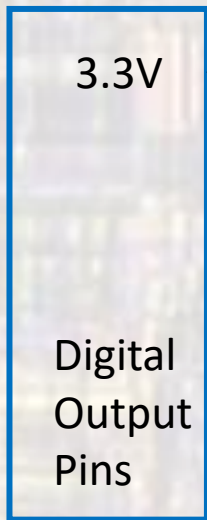
- Common Anode and common Cathode versions



7-Segment Display Basics

- Implementation
 - Common Anode
 - Active low outputs

Nucleo Board



Output = "1" (3.3v) \rightarrow OFF

Output = "0" (0.0v) \rightarrow ON

7-Segment Display Basics

- Implementation
 - Common Cathode
 - Active high outputs

