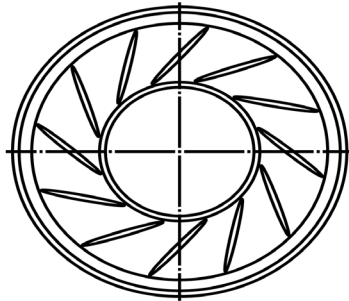
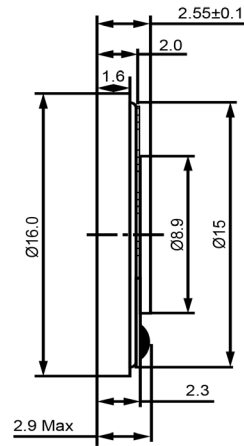


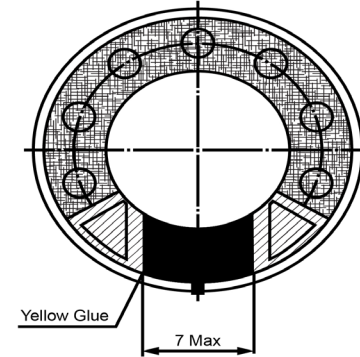
TOP VIEW





SIDE VIEW



BOTTOM VIEW



Specifications			Notes	Revision History					
Description	Value	Unit		Version	Description	Date	Approved		
Shape	Round		1) All dimensions are in mm unless otherwise noted 2) All parts meet RoHS	1	Released from Engineering	2/5/2014	J.S.		
Resonant Frequency	880	(Hz)							
Frequency Range	880 ~ 20,000	(Hz)							
SPL @ 10cm	85	(dBA)							
Impedance	16	(Ohm)							
Cone Material	Polyethylene Naphthalate								
Nominal Power	0.3	(W)							
Max Power	0.6	(W)							
Mount Type	Flush Mount								
Operating Temperature	-30 ~ +80	°C							
Storage Temperature	-30 ~ +80	°C							
Weight	1	(g)							
 DB UNLIMITED			 DB UNLIMITED			High Temp Dynamic Speaker		SM160816-1	
						Drawn by G.W.	Date 1/27/2014	Checked by C.E.	Date 2/4/2014

Mouser Electronics

Authorized Distributor

Click to View Pricing, Inventory, Delivery & Lifecycle Information:

[DB Unlimited:](#)

[SM160816-1](#)