

# MAX 10 – NIOS ADC Example

Last updated 10/12/20

# MAX10 ADC Example - NIOS

These slides review the configuration of an MAX10 ADC in a NIOS system

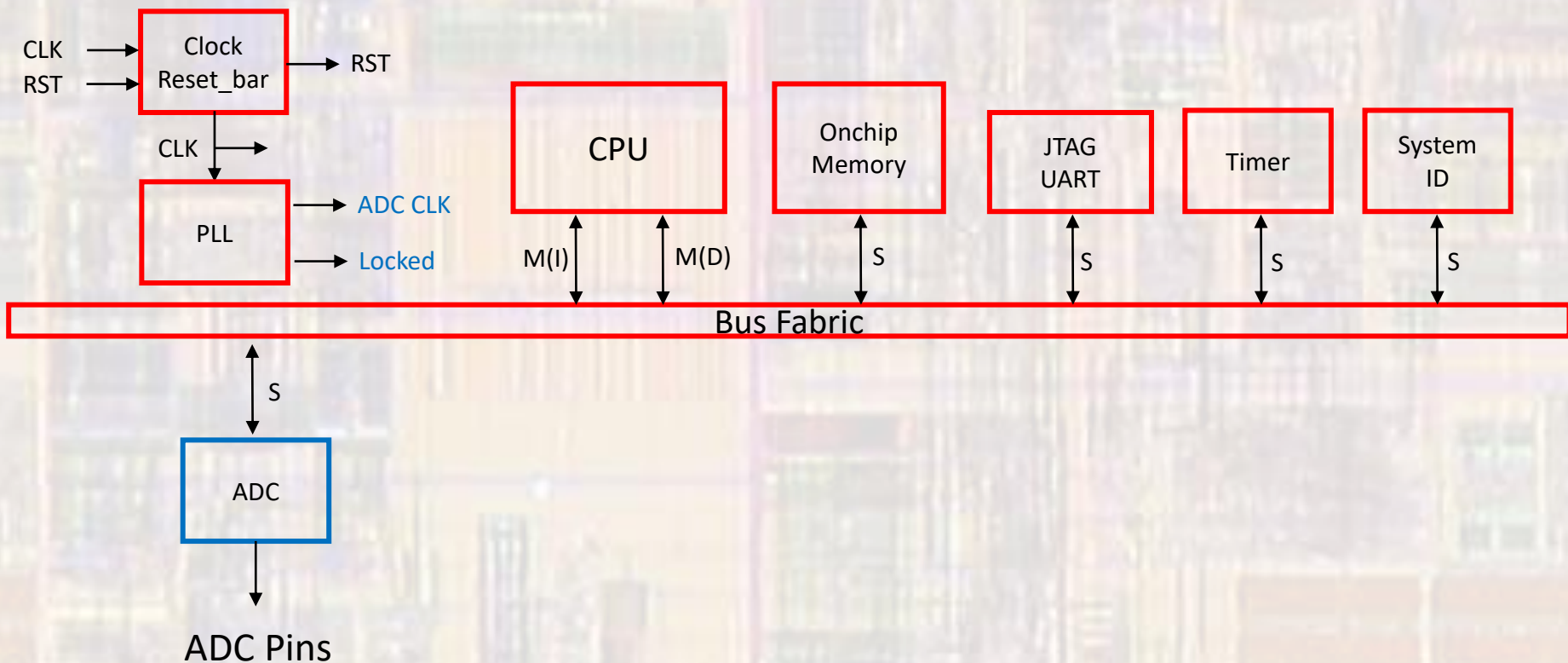
Upon completion: You should be able to create your own NIOS system using the MAX10 ADC

# Max10 ADC Example - NIOS

- ADC Configuration
  - 3 approaches to using the ADCs
    - Used as part of a NIOS system
      - Avalon interface built in by Platform Designer
    - Used with a hand built interface
      - Emulate the Avalon interface
    - Used with the Quartus ToolKit (Inside System Console) to verify operation
      - Avalon interface built into the toolkit

# Max10 ADC Example - NIOS

- Nios ADC
  - Create a processor system to use the ADC



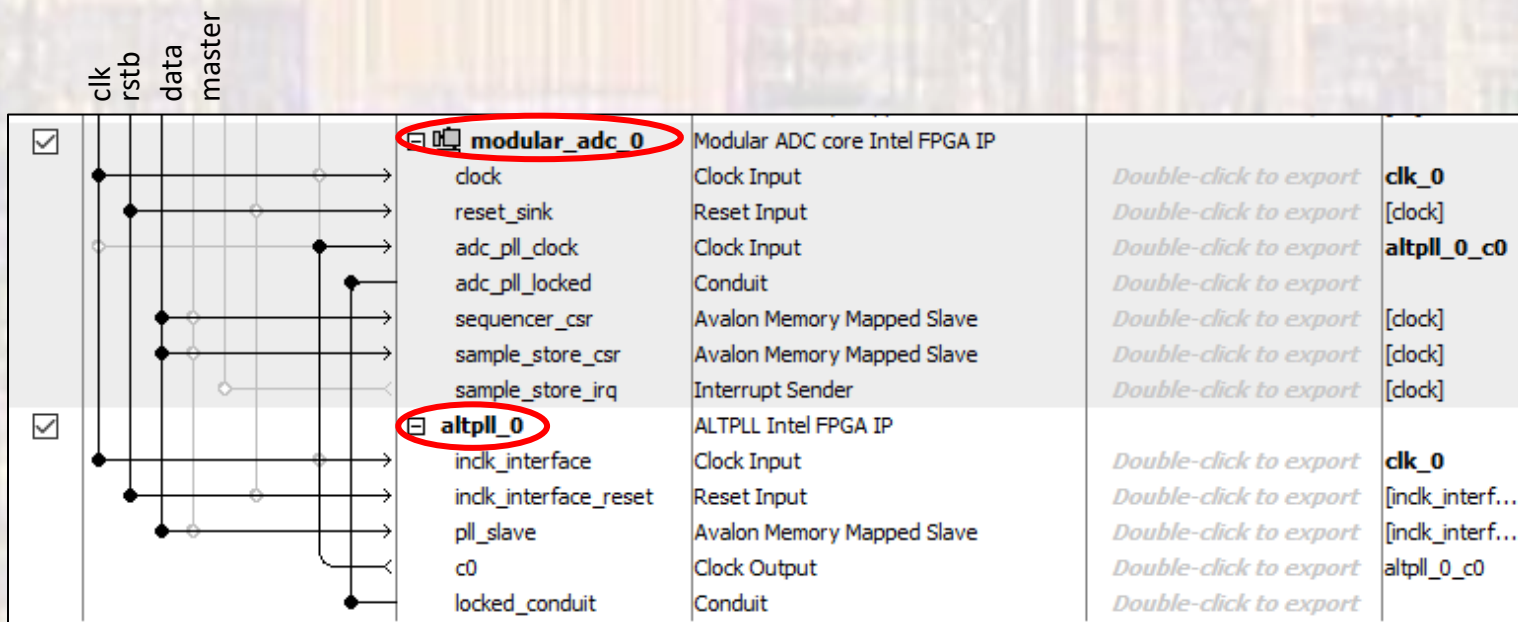
# Max10 ADC Example - NIOS

- Nios ADC
  - Create a processor system to use the ADC
  - Basic Processor system

Use	Connections	Name	Description	Export	Clock
<input checked="" type="checkbox"/>		<b>clk_0</b>	Clock Source	<b>clk</b>	<b>exported</b>
		clk_in	Clock Input	<b>reset</b>	
		clk_in_reset	Reset Input		
		clk	Clock Output	<i>Double-click to export</i>	clk_0
		clk_reset	Reset Output	<i>Double-click to export</i>	
<input checked="" type="checkbox"/>		<b>nios2_gen2_0</b>	Nios II Processor		
		clk	Clock Input	<i>Double-click to export</i>	<b>clk_0</b>
		reset	Reset Input	<i>Double-click to export</i>	[clk]
		data_master	Avalon Memory Mapped Master	<i>Double-click to export</i>	[clk]
		instruction_master	Avalon Memory Mapped Master	<i>Double-click to export</i>	[clk]
		irq	Interrupt Receiver	<i>Double-click to export</i>	[clk]
		debug_reset_request	Reset Output	<i>Double-click to export</i>	[clk]
	debug_mem_slave	Avalon Memory Mapped Slave	<i>Double-click to export</i>	[clk]	
	custom_instruction_m...	Custom Instruction Master	<i>Double-click to export</i>		
<input checked="" type="checkbox"/>		<b>onchip_memory2_0</b>	On-Chip Memory (RAM or ROM) Intel ...		
		clk1	Clock Input	<i>Double-click to export</i>	<b>clk_0</b>
		s1	Avalon Memory Mapped Slave	<i>Double-click to export</i>	[clk1]
	reset1	Reset Input	<i>Double-click to export</i>	[clk1]	
<input checked="" type="checkbox"/>		<b>jtag_uart_0</b>	JTAG UART Intel FPGA IP		
		clk	Clock Input	<i>Double-click to export</i>	<b>clk_0</b>
		reset	Reset Input	<i>Double-click to export</i>	[clk]
		avalon_jtag_slave	Avalon Memory Mapped Slave	<i>Double-click to export</i>	[clk]
	irq	Interrupt Sender	<i>Double-click to export</i>	[clk]	
<input checked="" type="checkbox"/>		<b>timer_0</b>	Interval Timer Intel FPGA IP		
		clk	Clock Input	<i>Double-click to export</i>	<b>clk_0</b>
		reset	Reset Input	<i>Double-click to export</i>	[clk]
		s1	Avalon Memory Mapped Slave	<i>Double-click to export</i>	[clk]
	irq	Interrupt Sender	<i>Double-click to export</i>	[clk]	
<input checked="" type="checkbox"/>		<b>sysid_qsys_0</b>	System ID Peripheral Intel FPGA IP		
		clk	Clock Input	<i>Double-click to export</i>	<b>clk_0</b>
		reset	Reset Input	<i>Double-click to export</i>	[clk]
	control_slave	Avalon Memory Mapped Slave	<i>Double-click to export</i>	[clk]	

# Max10 ADC Example - NIOS

- Nios ADC
  - Create a processor system to use the ADC
    - Modular ADC (see next slide)
      - Requires a locked output from the PLL
    - PLL
      - 10MHz max clk frequency



# Max10 ADC Example - NIOS

- Nios ADC
- ADC Module

Configuration

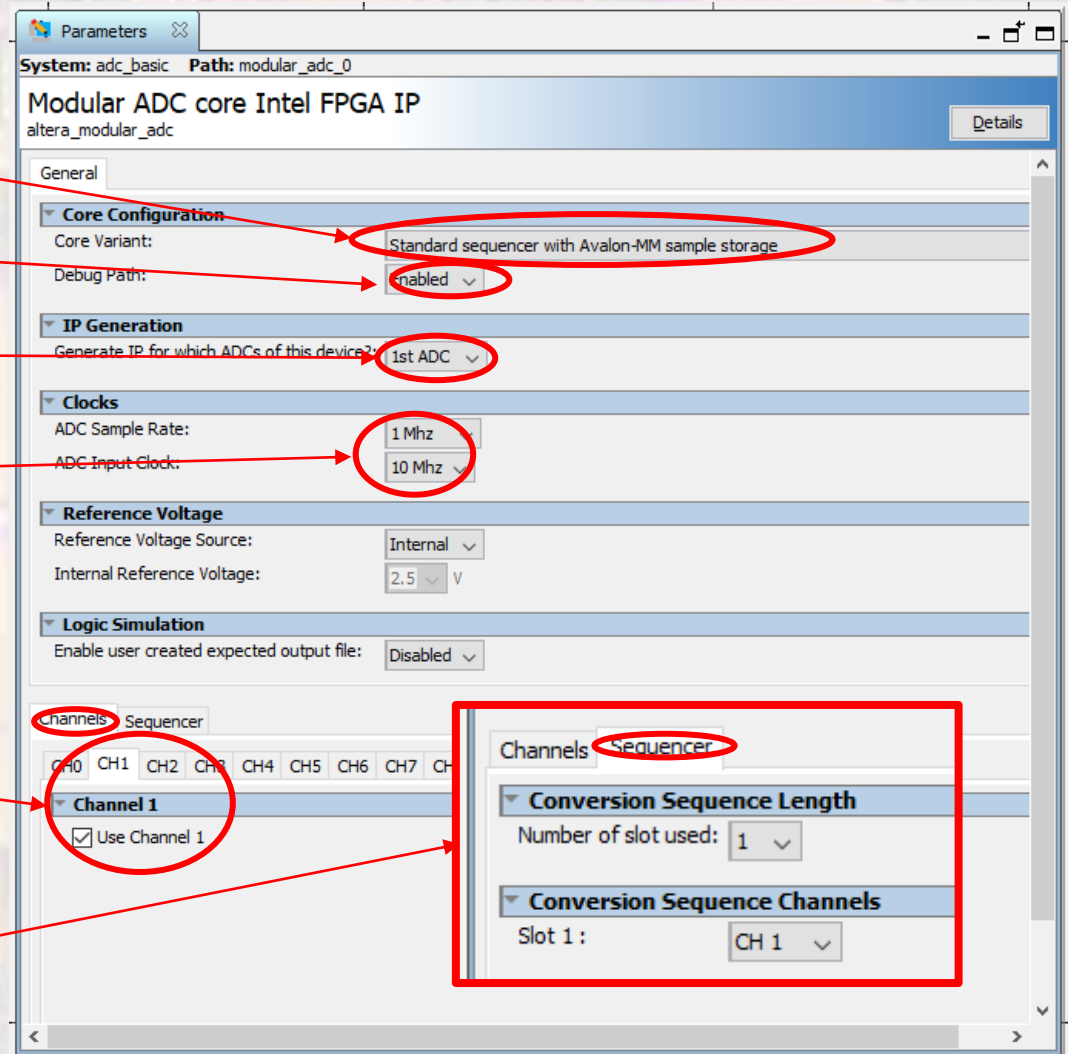
Select Disable

Only ADC1 available on DE10-Lite

Max Sample Rate  
Required Clock

Channel 1  
Arduino A0 pin

Sequencer Setup



# Max10 ADC Example - NIOS

- Nios ADC

```
-----  
--  
-- nios_adc_de10.vhd1  
--  
-- Created 9/18/18  
-- by:      johnsontim  
-- rev:     0  
--  
-----  
--  
-- Basic Nios system - with adc  
--  
-----  
  
library ieee;  
use ieee.std_logic_1164.all;  
use ieee.numeric_std.all;  
  
entity nios_adc_de10 is  
  port(  
    CLOCK_50 : in std_logic  
  );  
end entity;
```

```
architecture behavioral of nios_adc_de10 is  
  
  component nios_adc is  
    port (  
      clk_clk      : in std_logic := 'X'; -- clk  
      reset_reset_n : in std_logic := 'X' -- reset_n  
    );  
  end component nios_adc;  
  
begin  
  
  u0 : component nios_adc  
    port map (  
      clk_clk      => CLOCK_50,      -- clk.clk  
      reset_reset_n => '1',          -- reset.reset_n  
    );  
end architecture;
```

Note: No pin assignments required for ADC pins



# Max10 AD

- Nios ADC
- system.h

```
/*  
 * modular_adc_0_sample_store_csr configuration  
 */  
  
#define ALT_MODULE_CLASS_modular_adc_0_sample_store_csr altera_modular_adc  
#define MODULAR_ADC_0_SAMPLE_STORE_CSR_BASE 0x11000  
#define MODULAR_ADC_0_SAMPLE_STORE_CSR_CORE_VARIANT 0  
#define MODULAR_ADC_0_SAMPLE_STORE_CSR_CSD_LENGTH 1  
#define MODULAR_ADC_0_SAMPLE_STORE_CSR_CSD_SLOT_0 "CH1"  
#define MODULAR_ADC_0_SAMPLE_STORE_CSR_CSD_SLOT_1 "CH0"  
#define MODULAR_ADC_0_SAMPLE_STORE_CSR_CSD_SLOT_10 "CH0"  
#define MODULAR_ADC_0_SAMPLE_STORE_CSR_CSD_SLOT_11 "CH0"  
#define MODULAR_ADC_0_SAMPLE_STORE_CSR_CSD_SLOT_12 "CH0"  
#define MODULAR_ADC_0_SAMPLE_STORE_CSR_CSD_SLOT_13 "CH0"  
#define MODULAR_ADC_0_SAMPLE_STORE_CSR_CSD_SLOT_14 "CH0"
```

```
#define MODULAR_ADC_0_SAMPLE_STORE_CSR_CSD_SLOT_61 "CH0"  
#define MODULAR_ADC_0_SAMPLE_STORE_CSR_CSD_SLOT_62 "CH0"  
#define MODULAR_ADC_0_SAMPLE_STORE_CSR_CSD_SLOT_63 "CH0"  
#define MODULAR_ADC_0_SAMPLE_STORE_CSR_CSD_SLOT_7 "CH0"  
#define MODULAR_ADC_0_SAMPLE_STORE_CSR_CSD_SLOT_8 "CH0"  
#define MODULAR_ADC_0_SAMPLE_STORE_CSR_CSD_SLOT_9 "CH0"  
#define MODULAR_ADC_0_SAMPLE_STORE_CSR_DUAL_ADC_MODE 0  
#define MODULAR_ADC_0_SAMPLE_STORE_CSR_IRQ -1  
#define MODULAR_ADC_0_SAMPLE_STORE_CSR_IRQ_INTERRUPT_CONTROLLER_ID -1  
#define MODULAR_ADC_0_SAMPLE_STORE_CSR_IS_THIS_FIRST_OR_SECOND_ADC 1  
#define MODULAR_ADC_0_SAMPLE_STORE_CSR_NAME "/dev/modular_adc_0_sample_store_c  
#define MODULAR_ADC_0_SAMPLE_STORE_CSR_PRESCALER_CH16 0  
#define MODULAR_ADC_0_SAMPLE_STORE_CSR_PRESCALER_CH8 0  
#define MODULAR_ADC_0_SAMPLE_STORE_CSR_REFSSEL "Internal VREF"  
#define MODULAR_ADC_0_SAMPLE_STORE_CSR_SPAN 512  
#define MODULAR_ADC_0_SAMPLE_STORE_CSR_TYPE "altera_modular_adc"  
#define MODULAR_ADC_0_SAMPLE_STORE_CSR_USE_CH0 0  
#define MODULAR_ADC_0_SAMPLE_STORE_CSR_USE_CH1 1  
#define MODULAR_ADC_0_SAMPLE_STORE_CSR_USE_CH10 0  
#define MODULAR_ADC_0_SAMPLE_STORE_CSR_USE_CH11 0  
#define MODULAR_ADC_0_SAMPLE_STORE_CSR_USE_CH12 0  
#define MODULAR_ADC_0_SAMPLE_STORE_CSR_USE_CH13 0  
#define MODULAR_ADC_0_SAMPLE_STORE_CSR_USE_CH14 0  
#define MODULAR_ADC_0_SAMPLE_STORE_CSR_USE_CH15 0  
#define MODULAR_ADC_0_SAMPLE_STORE_CSR_USE_CH16 0  
#define MODULAR_ADC_0_SAMPLE_STORE_CSR_USE_CH2 0  
#define MODULAR_ADC_0_SAMPLE_STORE_CSR_USE_CH3 0  
#define MODULAR_ADC_0_SAMPLE_STORE_CSR_USE_CH4 0  
#define MODULAR_ADC_0_SAMPLE_STORE_CSR_USE_CH5 0  
#define MODULAR_ADC_0_SAMPLE_STORE_CSR_USE_CH6 0  
#define MODULAR_ADC_0_SAMPLE_STORE_CSR_USE_CH7 0  
#define MODULAR_ADC_0_SAMPLE_STORE_CSR_USE_CH8 0  
#define MODULAR_ADC_0_SAMPLE_STORE_CSR_USE_CH9 0  
#define MODULAR_ADC_0_SAMPLE_STORE_CSR_USE_TSD 0  
#define MODULAR_ADC_0_SAMPLE_STORE_CSR_VREF 2.5
```

# Max10 AD

- Nios ADC
- system.h

```
/*  
 * modular_adc_0_sequencer_csr configuration  
 *  
 */  
  
#define ALT_MODULE_CLASS_modular_adc_0_sequencer_csr altera_modular_adc  
#define MODULAR_ADC_0_SEQUENCER_CSR_BASE 0x11230  
#define MODULAR_ADC_0_SEQUENCER_CSR_CORE_VARIANT 0  
#define MODULAR_ADC_0_SEQUENCER_CSR_CSD_LENGTH 1  
#define MODULAR_ADC_0_SEQUENCER_CSR_CSD_SLOT_0 "CH1"  
#define MODULAR_ADC_0_SEQUENCER_CSR_CSD_SLOT_1 "CH0"  
#define MODULAR_ADC_0_SEQUENCER_CSR_CSD_SLOT_10 "CH0"  
#define MODULAR_ADC_0_SEQUENCER_CSR_CSD_SLOT_11 "CH0"  
#define MODULAR_ADC_0_SEQUENCER_CSR_CSD_SLOT_12 "CH0"  
#define MODULAR_ADC_0_SEQUENCER_CSR_CSD_SLOT_13 "CH0"
```

```
#define MODULAR_ADC_0_SEQUENCER_CSR_CSD_SLOT_63 "CH0"  
#define MODULAR_ADC_0_SEQUENCER_CSR_CSD_SLOT_7 "CH0"  
#define MODULAR_ADC_0_SEQUENCER_CSR_CSD_SLOT_8 "CH0"  
#define MODULAR_ADC_0_SEQUENCER_CSR_CSD_SLOT_9 "CH0"  
#define MODULAR_ADC_0_SEQUENCER_CSR_DUAL_ADC_MODE 0  
#define MODULAR_ADC_0_SEQUENCER_CSR_IRQ -1  
#define MODULAR_ADC_0_SEQUENCER_CSR_IRQ_INTERRUPT_CONTROLLER_ID -1  
#define MODULAR_ADC_0_SEQUENCER_CSR_IS_THIS_FIRST_OR_SECOND_ADC 1  
#define MODULAR_ADC_0_SEQUENCER_CSR_NAME "/dev/modular_adc_0_sequencer_csr"  
#define MODULAR_ADC_0_SEQUENCER_CSR_PRESCALER_CH16 0  
#define MODULAR_ADC_0_SEQUENCER_CSR_PRESCALER_CH8 0  
#define MODULAR_ADC_0_SEQUENCER_CSR_REFSSEL "Internal VREF"  
#define MODULAR_ADC_0_SEQUENCER_CSR_SPAN 8  
#define MODULAR_ADC_0_SEQUENCER_CSR_TYPE "altera_modular_adc"  
#define MODULAR_ADC_0_SEQUENCER_CSR_USE_CH0 0  
#define MODULAR_ADC_0_SEQUENCER_CSR_USE_CH1 1  
#define MODULAR_ADC_0_SEQUENCER_CSR_USE_CH10 0  
#define MODULAR_ADC_0_SEQUENCER_CSR_USE_CH11 0  
#define MODULAR_ADC_0_SEQUENCER_CSR_USE_CH12 0  
#define MODULAR_ADC_0_SEQUENCER_CSR_USE_CH13 0  
#define MODULAR_ADC_0_SEQUENCER_CSR_USE_CH14 0  
#define MODULAR_ADC_0_SEQUENCER_CSR_USE_CH15 0  
#define MODULAR_ADC_0_SEQUENCER_CSR_USE_CH16 0  
#define MODULAR_ADC_0_SEQUENCER_CSR_USE_CH2 0  
#define MODULAR_ADC_0_SEQUENCER_CSR_USE_CH3 0  
#define MODULAR_ADC_0_SEQUENCER_CSR_USE_CH4 0  
#define MODULAR_ADC_0_SEQUENCER_CSR_USE_CH5 0  
#define MODULAR_ADC_0_SEQUENCER_CSR_USE_CH6 0  
#define MODULAR_ADC_0_SEQUENCER_CSR_USE_CH7 0  
#define MODULAR_ADC_0_SEQUENCER_CSR_USE_CH8 0  
#define MODULAR_ADC_0_SEQUENCER_CSR_USE_CH9 0  
#define MODULAR_ADC_0_SEQUENCER_CSR_USE_TSD 0  
#define MODULAR_ADC_0_SEQUENCER_CSR_VREF 2.5
```

# Max10 ADC Example - NIOS

- Nios ADC
  - drivers/inc/altera\_modular\_adc.h

```
typedef struct alt_modular_adc_dev
{
    alt_dev          dev;
    /* Callback routine pointer */
    alt_adc_callback callback;
    /* Callback context pointer */
    void             *callback_context;
    /* Base address of the sample store micro core */
    alt_u32          sample_store_base;
    /* Base address of the sequencer micro core */
    alt_u32          sequencer_csr_base;
    /* Dual ADC mode enable status */
    alt_u8           DUAL_ADC_MODE;
} alt_modular_adc_dev;

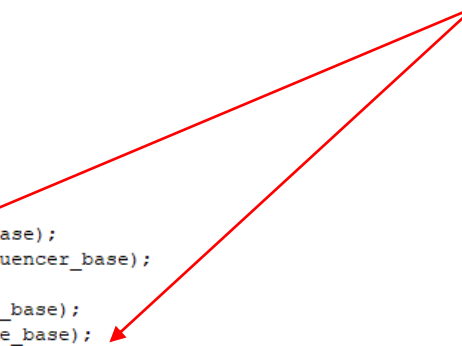
/*
 * Public APIs
 */
void adc_stop(int sequencer_base);
void adc_start(int sequencer_base);
void adc_set_mode_run_once(int sequencer_base);
void adc_set_mode_run_continuously(int sequencer_base);
void adc_recalibrate(int sequencer_base);
void adc_interrupt_enable(int sample_store_base);
void adc_interrupt_disable(int sample_store_base);
void adc_clear_interrupt_status(int sample_store_base);
void adc_wait_for_interrupt(int sample_store_base);
int adc_interrupt_asserted(int sample_store_base);
alt_modular_adc_dev* altera_modular_adc_open (const char *name);
void alt_adc_register_callback(
    alt_modular_adc_dev *dev,
    alt_adc_callback callback,
    void *context,
    alt_u32 sample_store_base);
int alt_adc_word_read (alt_u32 sample_store_base, alt_u32* source_ptr, alt_u32 len);

void altera_modular_adc_init(alt_modular_adc_dev* dev, alt_32 ic_id, alt_32 irq);
```

start, stop, mode  
Functions

word\_read  
function

sequencer and  
sample/store bases



# Max10 ADC Example - NIOS

- Nios ADC
  - User program

ADC operates independently – no pointer to structure or 'open' required

```
* adcl.c
//
// ADC with NIOS example
//
//
//
#include "alt_types.h" // to support adc expected types
#include "altera_modular_adc.h"
#include "system.h"
#include <stdio.h>
#include <unistd.h> // usleep

//
// Note no Device open required - built into the
// controller ???

int main(void) {
    printf("Entered Main\n");
    alt_u32 adc_val;
    float adc_volt;
    int adc_plot_index;
    const char * adc_graph[10] = {"|",
        " |",
        " |",
        " |",
        " |",
        " |",
        " |",
        " |",
        " |",
        " |",
        "|",
        };

    // Configure the ADC for single measurements
    // must stop the ADC to change values
    //
    adc_stop(MODULAR_ADC_0_SEQUENCER_CSR_BASE);
    adc_set_mode_run_once(MODULAR_ADC_0_SEQUENCER_CSR_BASE);
```

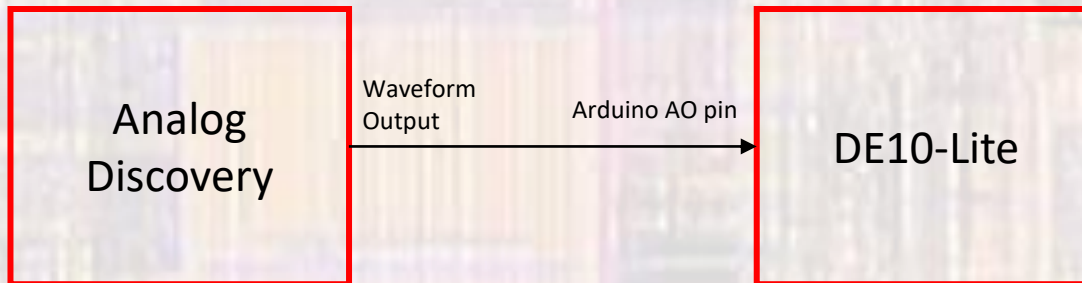
```
while(1){
    adc_start(MODULAR_ADC_0_SEQUENCER_CSR_BASE);
    usleep(100000);
    alt_adc_word_read(MODULAR_ADC_0_SAMPLE_STORE_CSR_BASE, &adc_val, MODULAR_ADC_0_SAMPLE_STORE_CSR_CSD_LENGTH);

    adc_volt = (float)adc_val * 5.0 / 4096.0;
    adc_plot_index = (int)(adc_volt/0.34);
    printf("adc value = %lu\t adc voltage = %f\t %s\n", adc_val, adc_volt, adc_graph[adc_plot_index]);
} // end while

return 0;
} // end main
```

# Max10 ADC Example - NIOS

- NIOS ADC
  - Setup



# Max10 ADC

- Nios ADC
  - 0.5Hz input

```
nios_adc_sw Nios II Hardware configuration - cable: USB-Blaster on localhost [USB-0] device ID: 1 insta
adc value = 1116      adc voltage = 1.362305      |
adc value = 572       adc voltage = 0.698242      |
adc value = 285       adc voltage = 0.347900      |
adc value = 58        adc voltage = 0.070801      |
adc value = 49        adc voltage = 0.059814      |
adc value = 255       adc voltage = 0.311279      |
adc value = 531       adc voltage = 0.648193      |
adc value = 1066      adc voltage = 1.301270      |
adc value = 1478      adc voltage = 1.804199      |
adc value = 2050      adc voltage = 2.502441      |
adc value = 2384      adc voltage = 2.910156      |
adc value = 2698      adc voltage = 3.293457      |
adc value = 2777      adc voltage = 3.389893      |
adc value = 2666      adc voltage = 3.254395      |
adc value = 2445      adc voltage = 2.984619      |
adc value = 1966      adc voltage = 2.399902      |
adc value = 1564      adc voltage = 1.909180      |
adc value = 970       adc voltage = 1.184082      |
adc value = 599       adc voltage = 0.731201      |
adc value = 207       adc voltage = 0.252686      |
adc value = 62        adc voltage = 0.075684      |
adc value = 76        adc voltage = 0.092773      |
adc value = 234       adc voltage = 0.285645      |
adc value = 647       adc voltage = 0.789795      |
adc value = 1028      adc voltage = 1.254883      |
adc value = 1621      adc voltage = 1.978760      |
adc value = 2021      adc voltage = 2.467041      |
adc value = 2480      adc voltage = 3.027344      |
adc value = 2685      adc voltage = 3.277588      |
adc value = 2772      adc voltage = 3.383789      |
adc value = 2681      adc voltage = 3.272705      |
adc value = 2346      adc voltage = 2.863770      |
adc value = 2004      adc voltage = 2.446289      |
adc value = 1424      adc voltage = 1.738281      |
adc value = 1015      adc voltage = 1.239014      |
adc value = 493       adc voltage = 0.601807      |
adc value = 229       adc voltage = 0.279541      |
```

# Max10 ADC Example - NIOS

- DE10-Lite – ADC **WARNINGS**
  - Only ADC1 is brought out to pins
    - No access to ADC2 inputs
  - The pin #s are shifted
    - Arduino A0 is mapped to ADC1\_in1
    - ...
    - Arduino A5 is mapped to ADC1\_in6
  - No other ADC inputs are pinned out