

NIOS Processor

Last updated 8/12/20

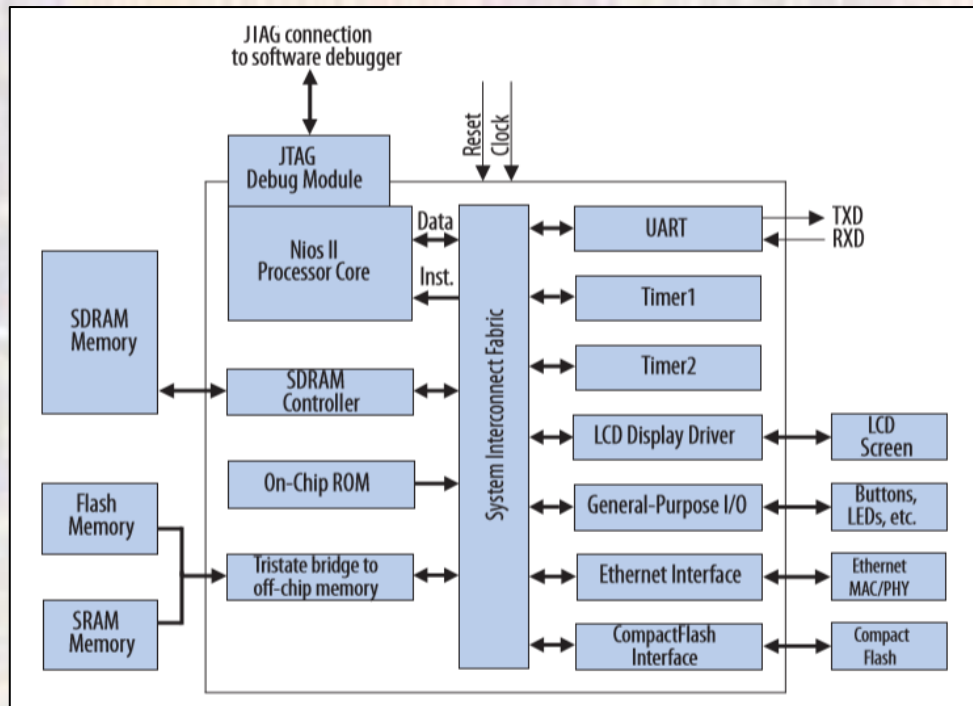
NIOS Processor

These slides describe the architecture of the NIOS II Processor

Upon completion: You should understand the basic elements in the NIOS II processor

NIOS Processor

- NIOS System
 - Processor Core
 - System Interconnect Fabric
 - Memory Interfaces
 - Peripheral Interfaces



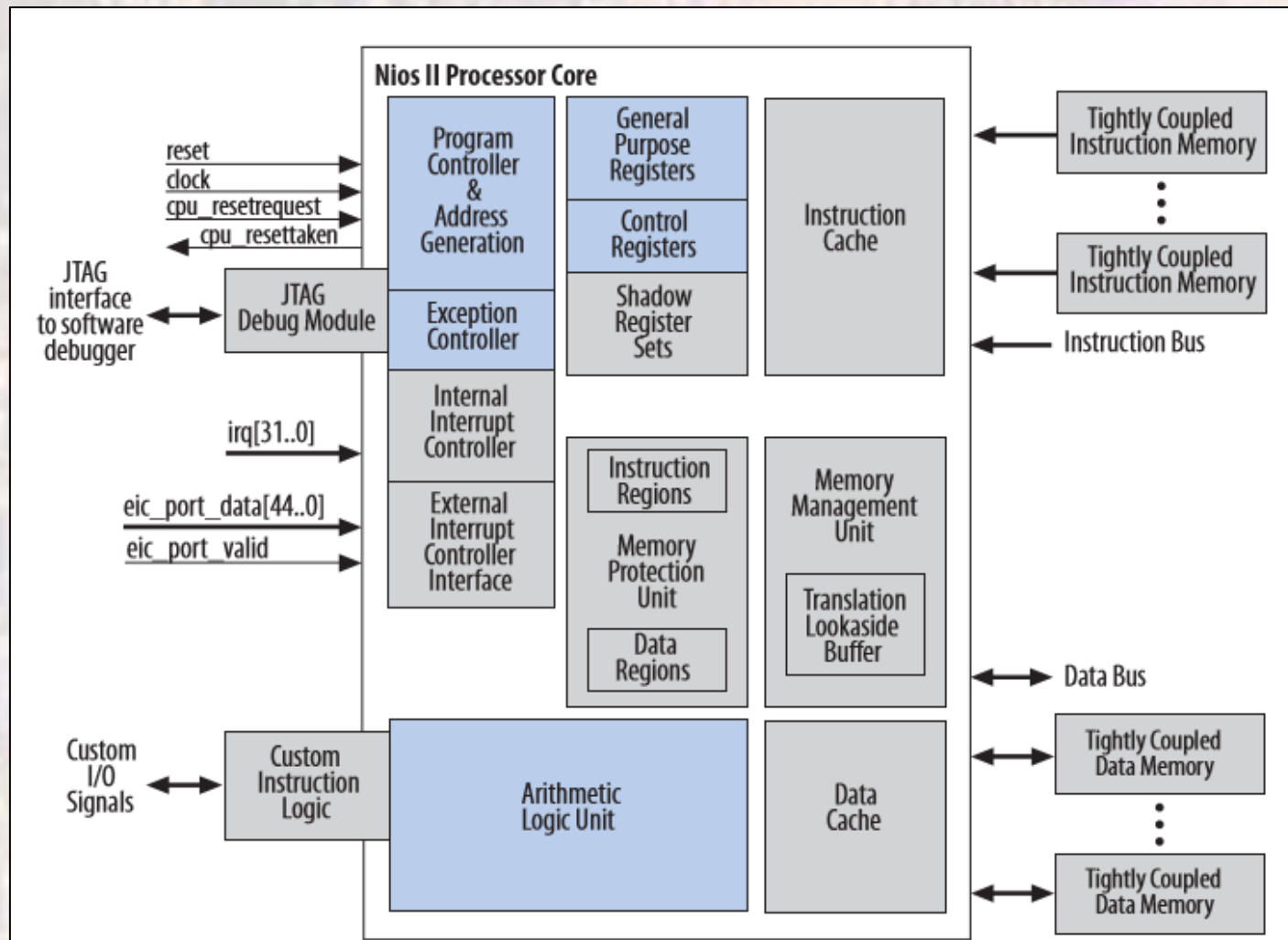
NIOS Processor

Key

Required Module

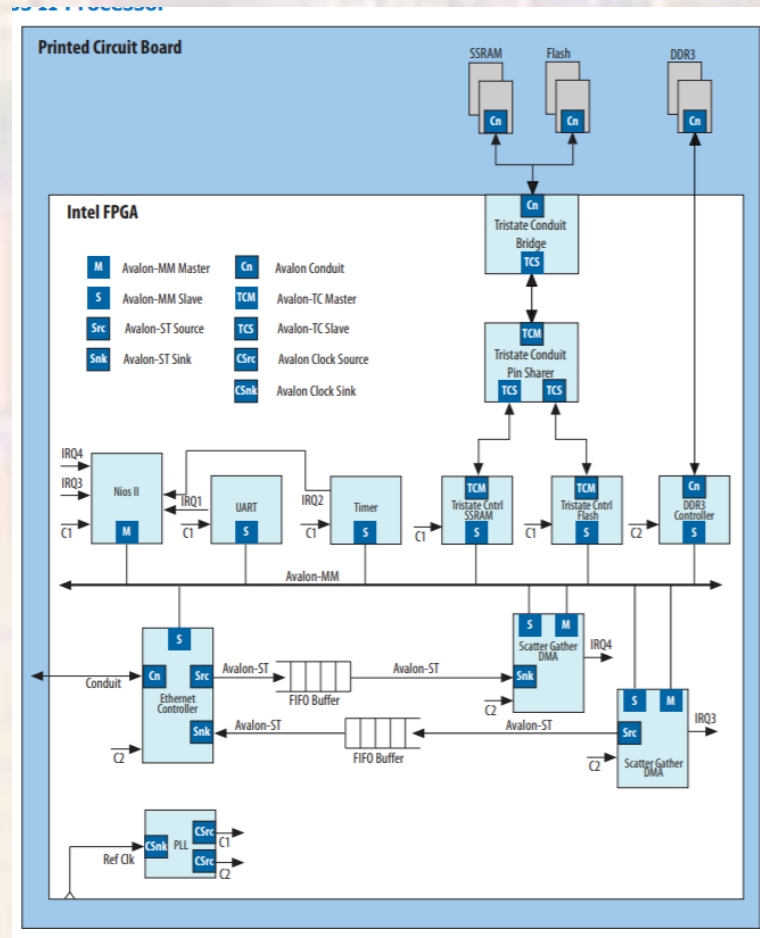
Optional Module

- NIOS Processor Core



NIOS Processor

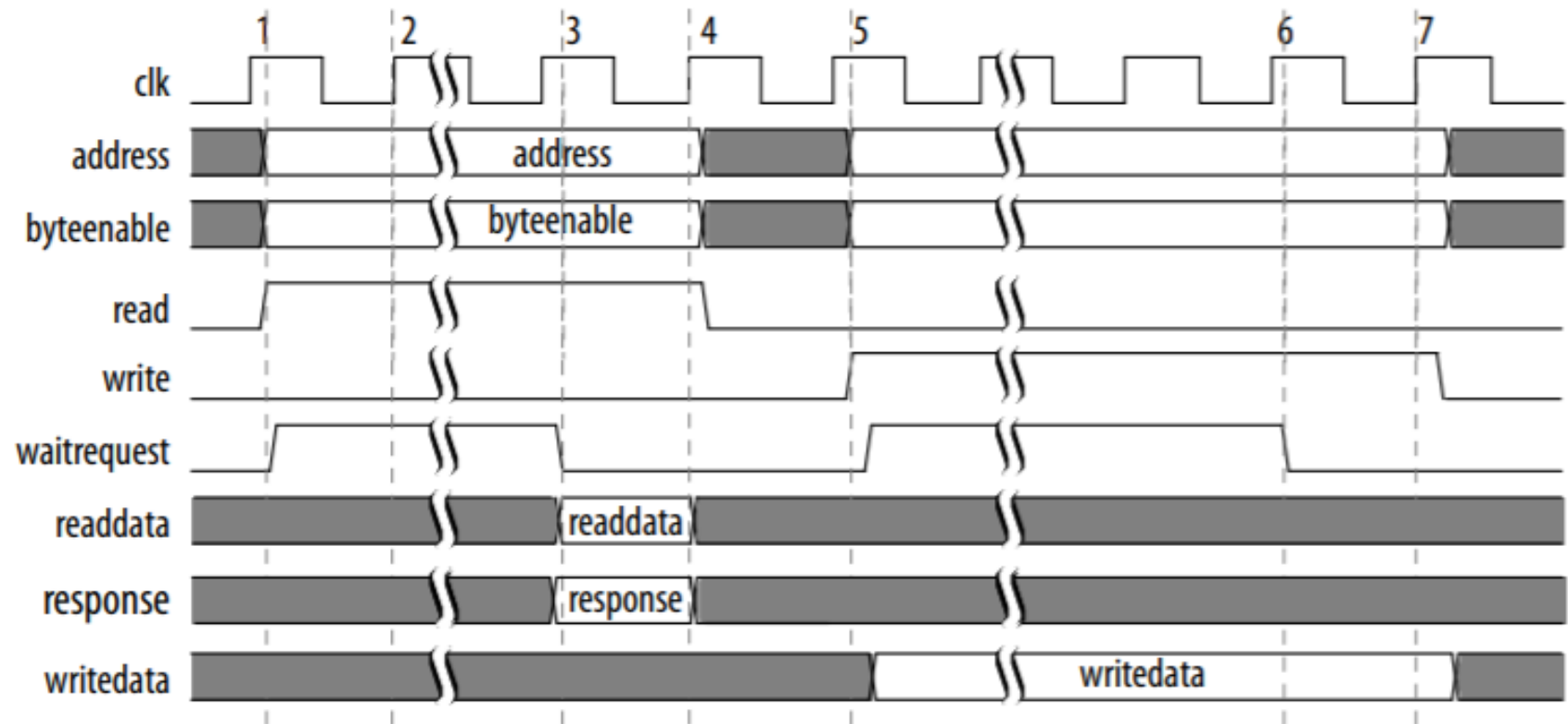
- NIOS Interconnect Fabric
 - 2 types of interfaces
 - Memory Mapped
 - Master and Slave
 - Streaming
 - Non-packet and Packet



NIOS Processor

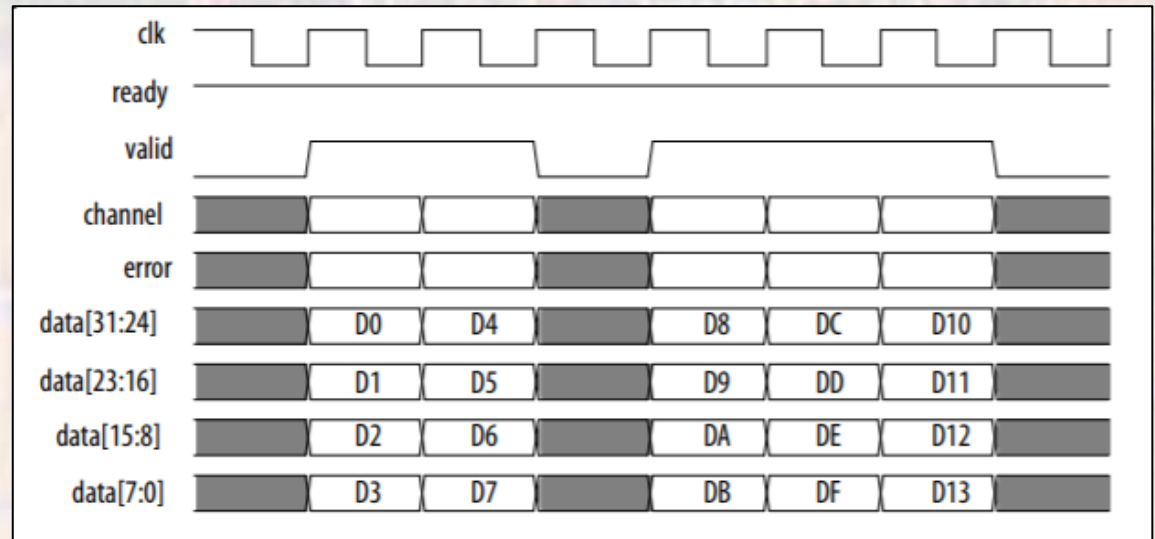
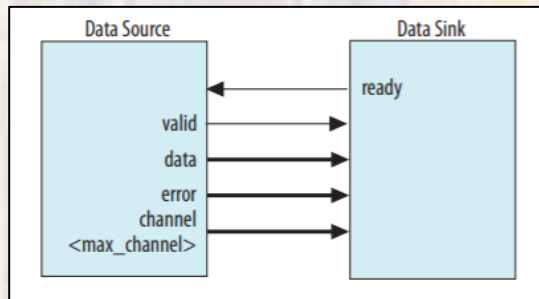
- NIOS Interconnect Fabric
 - Memory mapped interface (master and slave)

Read and Write Transfers with Waitrequest



NIOS Processor

- NIOS Interconnect Fabric
 - Streaming interface – non-packet



NIOS Processor

- NIOS Interconnect Fabric
 - Streaming interface – packet based

