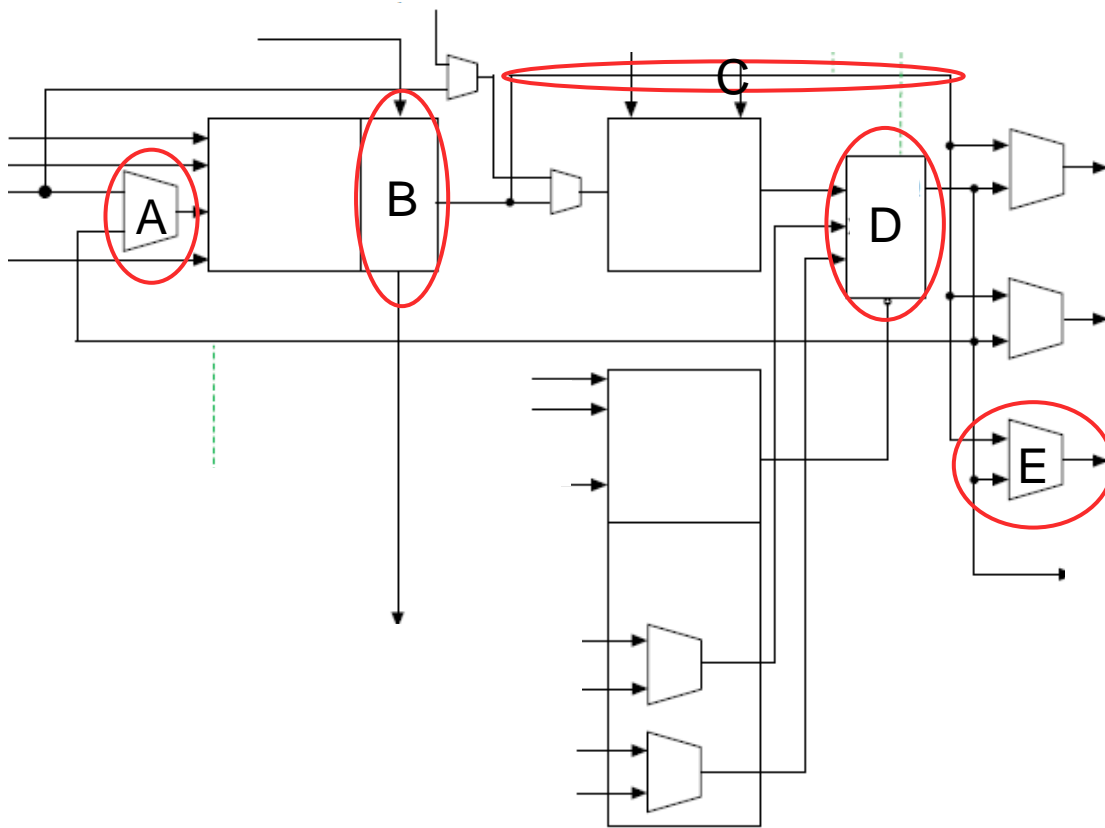


1 – Identify the purpose of each highlighted block

50 pts



A:
B:
C:
D:
E:

2) Provide the hex value for the LUT Mask of a 4 input LUT with signals A,B,C,D tied to inputs 1,2,3,4 respectively when the compiled logic represents

$$\text{out} = ((A+B) + (C\&D))$$

50 pts

HEX