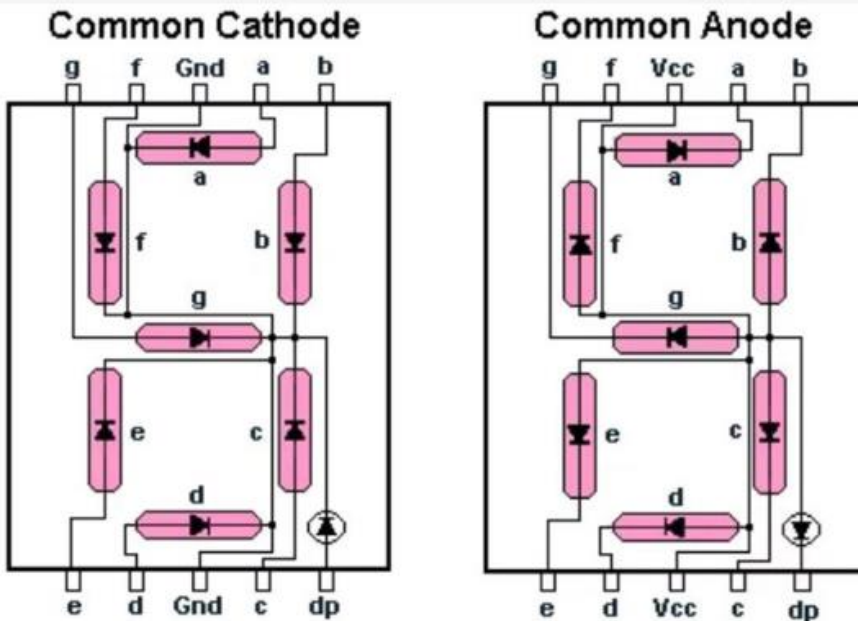


SSEG Display

- There are two standard 7-segment display variations
 - The DE10 uses the Common Anode variation
 - Pulling a pin LOW causes the LED to turn on



Typically wired as

dp g f e d c b a

e.g.

F → a + e + f + g

0 1 1 1 0 0 0 1

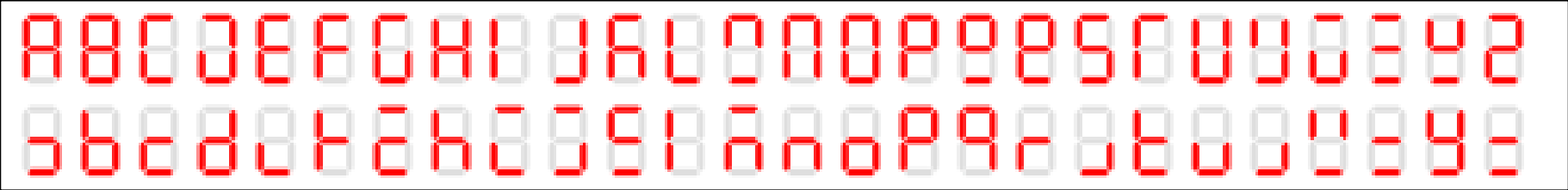
but – active low (DE10)

1 0 0 0 1 1 1 0

SSEG Display

- SSEG Characters

0	1	2	3	4
5	6	7	8	9



- Mix cases to make the display more readable

